

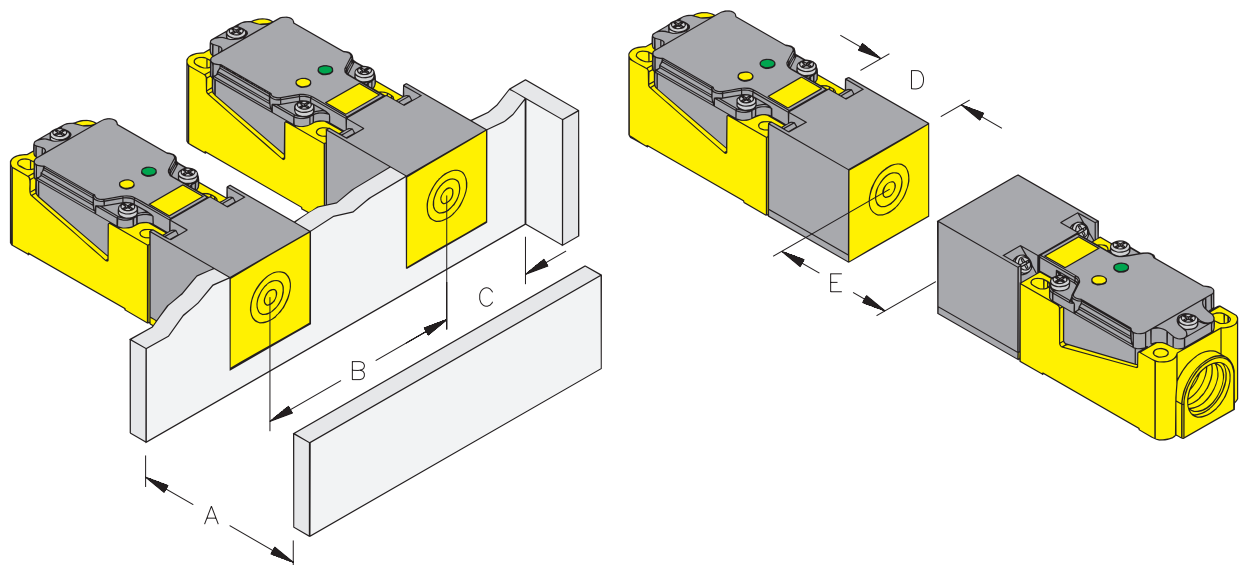
Inductive Sensors

Mounting

TURCK inductive proximity sensors are manufactured with a shielded coil, designated by “Bi” in the part number, and a nonshielded coil, designated by “Ni” in the part number (See page B6). Embeddable (shielded) units may be safely flush-mounted in metal. Nonembeddable (nonshielded) units require a metal free area around the sensing face. Because of possible interference of the electromagnetic fields generated by the oscillators, minimum spacing is required between adjacent or opposing sensors.

It is good engineering practice to mount sensors horizontally or with the sensing face looking down. Avoid sensors that look up wherever possible, especially if metal filings and chips are present.

Embeddable Mounting Characteristics - Rectangular Housings

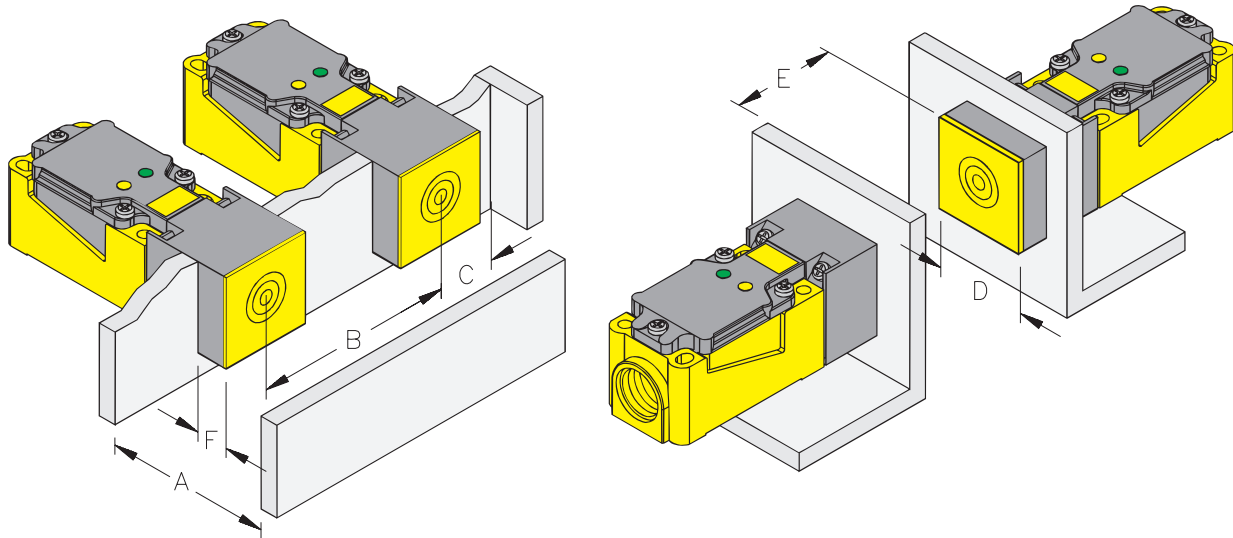


Flush Mountable - CA25, CK40 and CP40

Housing Type	Sensor Type	A	B	C	D	E
CA25	Bi10U	30.00	50.00	25.00	25.00	60.00
CP40/CK40	Bi15U	45.00	80.00	40.00	40.00	90.00
CP40/CK40	Bi15	45.00	80.00	40.00	40.00	90.00
CP40/CK40/CA40	Bi20U	60.00	80.00	40.00	40.00	120.00
CP40	Bi20	60.00	80.00	40.00	40.00	120.00
CP40/CK40	Bi30U	90.00	80.00	40.00	40.00	180.00

Dimensions are in mm.

Nonembeddable Mounting Characteristics - Rectangular Housings

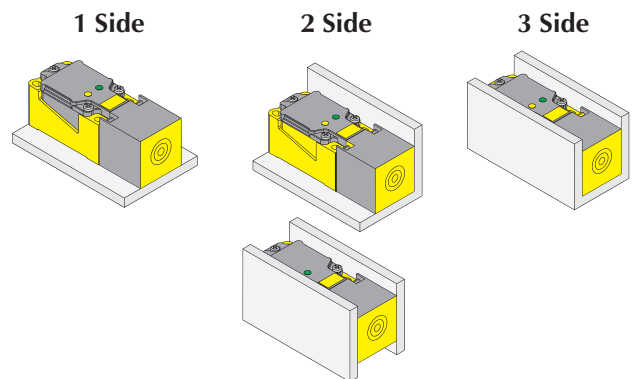


Non-Flush Mountable - CA25, CK40 and CP40

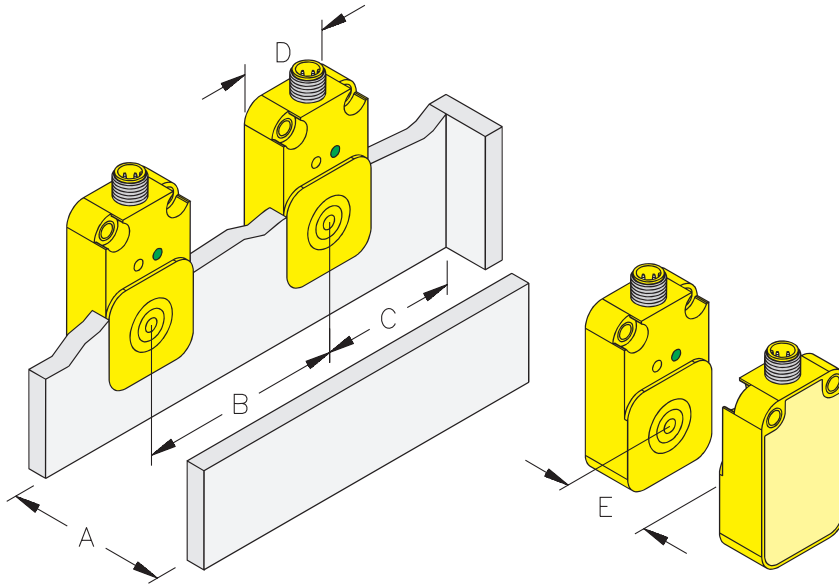
Housing Type	Sensor Type	A	B	C	D	E	F	1 Side	2 Side	3 Side
CA25	Ni15U	45.00	75.00	38.00	25.00	90.00	25.00			
CA25	Ni15	45.00	75.00	38.00	25.00	90.00	25.00	Sr=15 mm*		
CP/CK40	Ni20	60.00	120.00	60.00	40.00	120.00	20.00			
CP/CK40	Ni25U	75.00	240.00	60.00	40.00	150.00	30.00	Sr=22 mm*	Sr=20 mm*	Sr=17 mm*
CP/CK40	Ni25	75.00	120.00	60.00	40.00	150.00	40.00			
CP/CK40	Ni35U	105.00	240.00	60.00	40.00	210.00	30.00	Sr=28 mm*	Sr=24 mm*	Sr=19 mm*
CP/CK40	Ni35	105.00	180.00	60.00	40.00	210.00	40.00			
CP/CK40	Ni40U	120.00	240.00	60.00	40.00	240.00	40.00			
CP/CK40	Ni40	120.00	180.00	60.00	40.00	240.00	40.00			
CP/CK40	Ni50U	150.00	240.00	60.00	40.00	300.00	40.00	Sr=35 mm*	Sr=25 mm*	Sr=20 mm*

Dimensions are in mm.

* Only DC versions



Embeddable Mounting Characteristics - Rectangular Housings



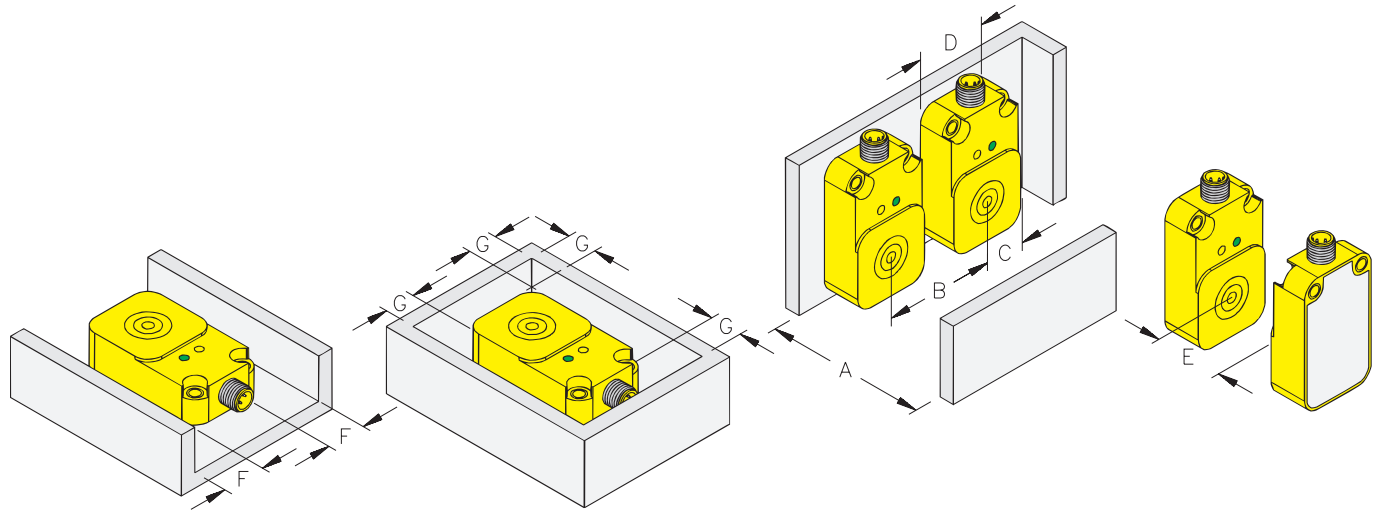
Flush Mountable

Housing Type	Sensor Type	A	B	C	D	E
Q5.5	Bi 2	6.00	16.00	8.00	8.00	12.00
Q06	Bi 3	9.00	35.00	17.00	17.30	18.00
Q08	Bi 5	15.00	40.00	20.00	20.00	30.00
Q08	Bi 5U	15.00	40.00	20.00	20.00	30.00
Q08	Bi 7	21.00	40.00	20.00	20.00	42.00
Q10	Bi 8	24.00	50.00	25.00	25.00	48.00
Q10	Bi 8U	24.00	50.00	25.00	25.00	48.00
Q14	Bi10	30.00	45.00	30.00	30.00	60.00
Q14	Bi10U	30.00	45.00	30.00	30.00	60.00
Q20	Bi15	45.00	60.00	40.00	40.00	90.00
Q20	Bi15U	45.00	60.00	40.00	40.00	90.00
CP80	Bi40	120.00	160.00	80.00	80.00	240.00
Q80	Bi50U	150.00	160.00	80.00	80.00	300.00

Dimensions are in mm.

Embeddable Mounting Characteristics - Rectangular Housings

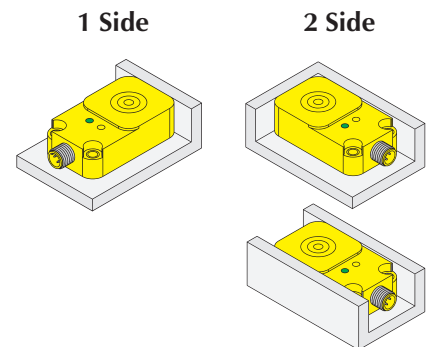
Rectangular



Non-flush Mountable - Minimum Distances - Q5.5, Q14, Q20, CP80, Q80 and K90

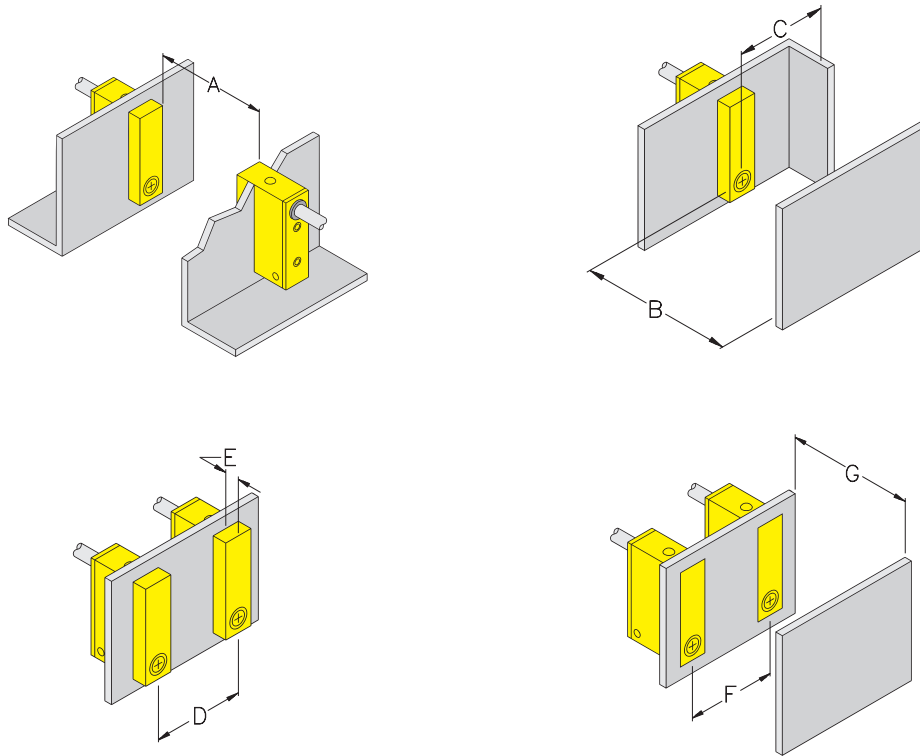
Housing Type	Sensor Type	A	B	C	D	E	F	G	1 Side	2 Side
Q5.5	Ni 3.5	11.00	24.00	12.00	8.00	21.00	4.00	8.00		
Q14	Ni20	60.00	90.00	45.00	30.00	120.00	202.00	30.00	Sr=20 mm*	Sr=20 mm*
Q20	Ni25	75.00	120.00	60.00	40.00	150.00	25.00	40.00	Sr=20 mm*	Sr=20 mm*
CP80	Ni40	120.00	240.00	120.00	80.00	240.00	40.00	80.00		
CP80	Ni50U	150.00	240.00	120.00	80.00	300.00	50.00	80.00		
Q80	Ni70U	210.00	240.00	120.00	80.00	420.00	70.00	80.00	Sr=50 mm	
CP80	Ni75U	225.00	240.00	120.00	80.00	450.00	60.00	80.00		
K90	Ni50U	150.00	270.00	135.00	90.00	300.00	50.00	90.00		
K90	Ni60	180.00	270.00	135.00	90.00	360.00	60.00	90.00		
K90	Ni100U	300.00	270.00	135.00	90.00	600.00	100.00	90.00	Sr=70 mm	

Dimensions are in mm.
* Only non-ferrous metals.



Inductive Sensors

Embeddable Mounting Characteristics - Rectangular Housings



Flush Mountable

Housing Type	Sensor Type	Housing	A	B	C	D
Q6.5	Bi 1	6.50	6.00	3.00	7.00	13.00
Q8SE	Bi 2	8.00	12.00	6.00	8.00	16.00
Q10S	Bi 2	10.00	12.00	6.00	10.00	20.00
Q11S	Bi 2	11.00	12.00	6.00	11.00	22.00
Q12	Bi 2	12.00	12.00	6.00	12.00	24.00
Q26	Bi10	26.00	60.00	30.00	26.00	52.00
Q34	Bi15	34.00	90.00	45.00	34.00	68.00

Dimensions are in mm.

Non-Flush Mountable

Housing Type	Sensor Type	Housing	A	B	C	D	E
Q6.5	Ni 2	6.50	12.00	6.00	10.00	13.00	4.00
Q9.5	Ni 2	9.50	12.00	6.00	14.00	19.00	4.00
Q12	Ni 4	12.00	24.00	12.00	18.00	24.00	8.00
Q25	Ni10	25.00	60.00	30.00	38.00	50.00	20.00
Q30	Ni15	30.00	90.00	45.00	45.00	60.00	30.00

Dimensions are in mm.