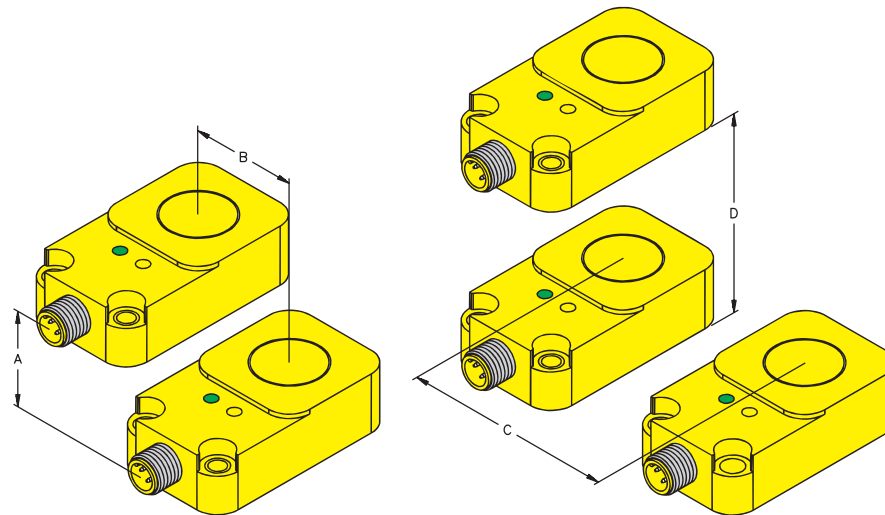


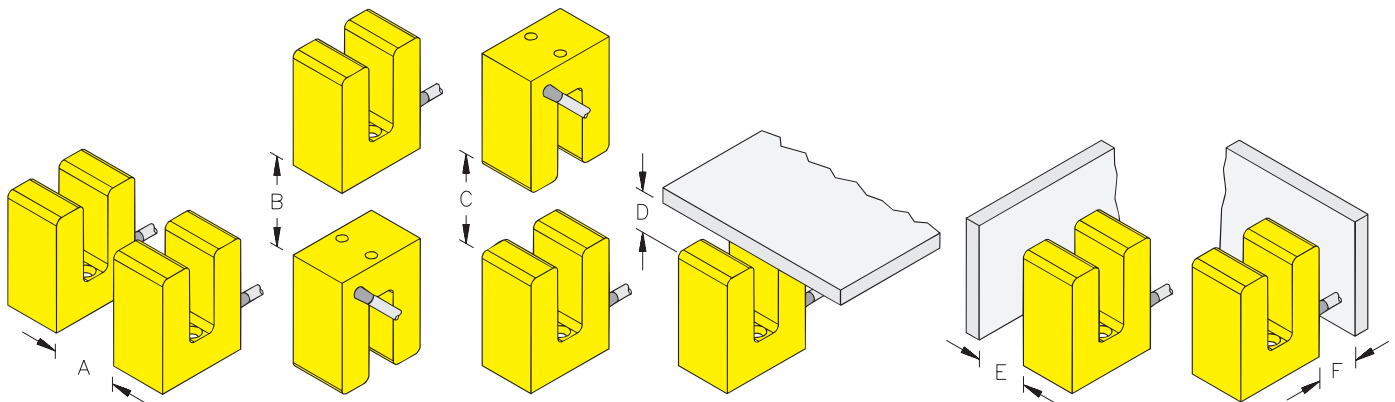
Embeddable Mounting Characteristics



Ring Sensors Minimum Distances

Sensor Type	A	B	C	D
Q14...	30.00	14.00	45.00	30.00
Q20	40.00	20.00	55.00	40.00
W30...	N/A	N/A	120.00	120.00

Dimensions are in mm.



Slot Sensors Minimum Distances

Sensor Type	A	B	C	D	E	F
Si 2	15.00	5.00	15.00	0	0	0
Si 3.5	15.00	5.00	15.00	0	0	0
Si 5	10.00	0	5.00	0	0	0
Si15	30.00	10.00	30.00	5.00	5.00	5.00
Si30	30.00	0	30.00	10.00	10.00	10.00

Dimensions are in mm.

Specialty