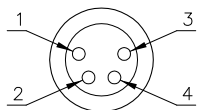


CONNECTORS (J1-J8)

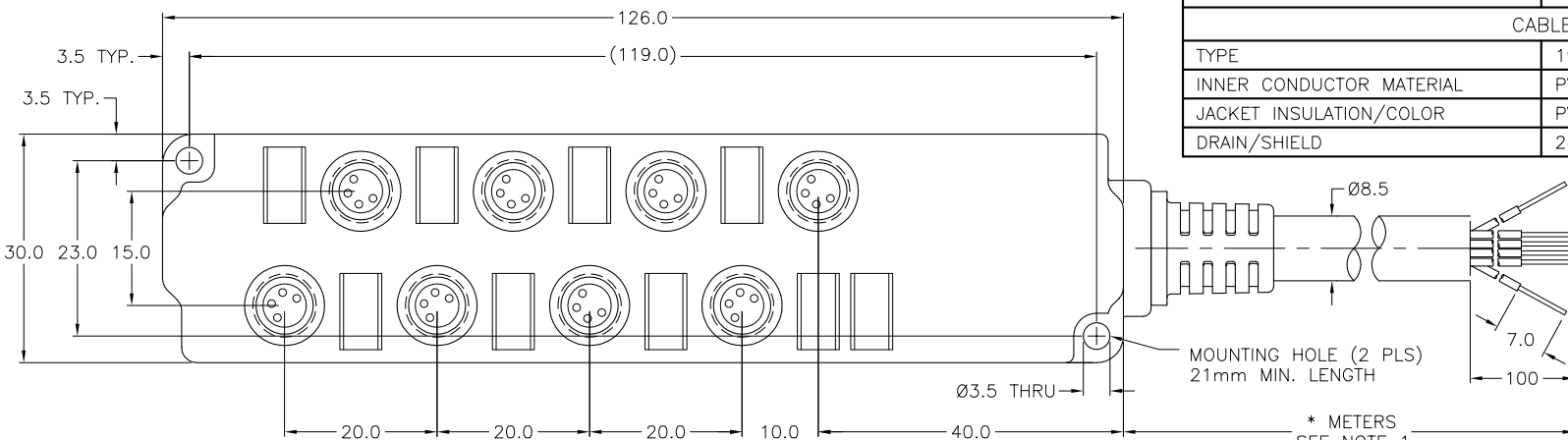


SPECIFICATIONS

HOUSING MATERIAL/COLOR	NYLON/YELLOW
RECEPTACLE MATERIAL/FINISH	BRASS/NICKEL (J1-J8)
CONTACT CARRIER MATERIAL/COLOR	NYLON/YELLOW (J1-J8)
CABLE GLAND MATERIAL/COLOR	RUBBER/BLACK
CONTACTS	BRASS/GOLD
OPERATING VOLTAGE	125 VDC
OPERATING CURRENT	3.0 A PER PORT, 4.0 A TOTAL
PROTECTION CLASS to DIN 40050	IP 67 - ONLY WHEN ALL RECEPTACLES ARE COVERED WITH PLUGS OR CONNECTED
OPERATING TEMPERATURE	-30°C to 80°C (-22°F to 176°F)

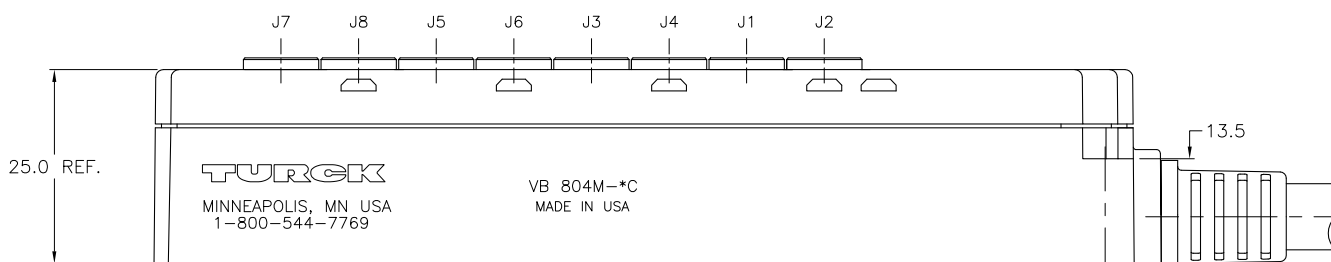
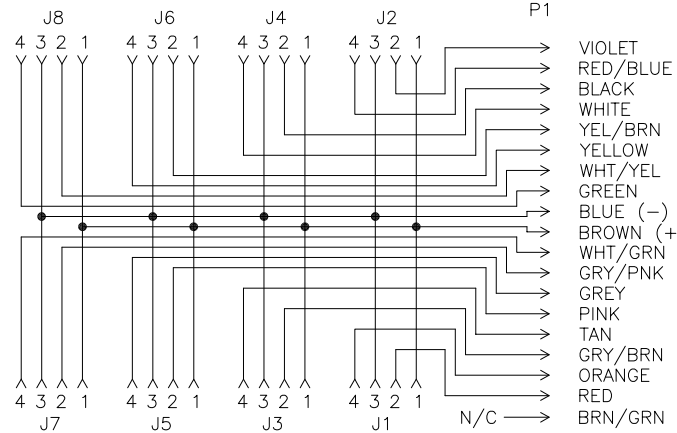
CABLE DATA

TYPE	19x22 AWG
INNER CONDUCTOR MATERIAL	PVC
JACKET INSULATION/COLOR	PVC/BLACK
DRAIN/SHIELD	24 AWG DRAIN/ALUMINUM FOIL SHIELD



SEE SPECIFICATIONS FOR NUMBER OF CONDUCTORS

WIRING DIAGRAM



CABLE LENGTH	TOLERANCE
ALL LENGTHS	+ 4% (OR 50mm) OF LENGTH - 0% (OR 0mm) OF LENGTH WHICHEVER IS GREATER
STRIP LENGTH	TOLERANCE
0-7mm	±0.5mm
8-29mm	±1.0mm
30-49mm	±2.0mm
50-69mm	±3.0mm
70-100mm	±4.0mm
OVER 100mm	±5.0mm

NOTES:  
1. "\*" INDICATES CABLE LENGTH IN METERS. CONTACT TURCK TO ORDER SPECIFIC LENGTHS.

SOURCE DRAWING - FOR REFERENCE ONLY

RELATED DOCUMENTS 1. 2. 3. 4.	3RD ANGLE PROJECTION 	THIS DRAWING IS PROPERTY OF TURCK INC. USE OF THIS DOCUMENT WITHOUT WRITTEN PERMISSION IS PROHIBITED.	3000 CAMPUS DRIVE MINNEAPOLIS, MN 55441 1-800-544-7769 (763) 553-7300 (763) 553-0708 fax turck.com	
MATERIAL SEE SPECIFICATIONS	ALL DIMENSIONS DISPLAYED ON THIS DRAWING ARE FOR REFERENCE ONLY	DRFT DD	DATE 05/23/03	DESCRIPTION VB 804M-0C
FINISH SEE SPECIFICATIONS	CONTACT TURCK FOR MORE INFORMATION	DSGN	SCALE 1=1.0	IDENTIFICATION NO.
		UNIT OF MEASUREMENT <b>MILLIMETERS</b>		REV B
		DO NOT SCALE THIS DRAWING		FILE: 777001803
				SHEET 1 OF 1

B	IN CORRECT PINOUT, BLUE AND BROWN	RWC	12/03/04	12362
REV	DESCRIPTION	BY	DATE	ECO NO.