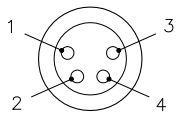
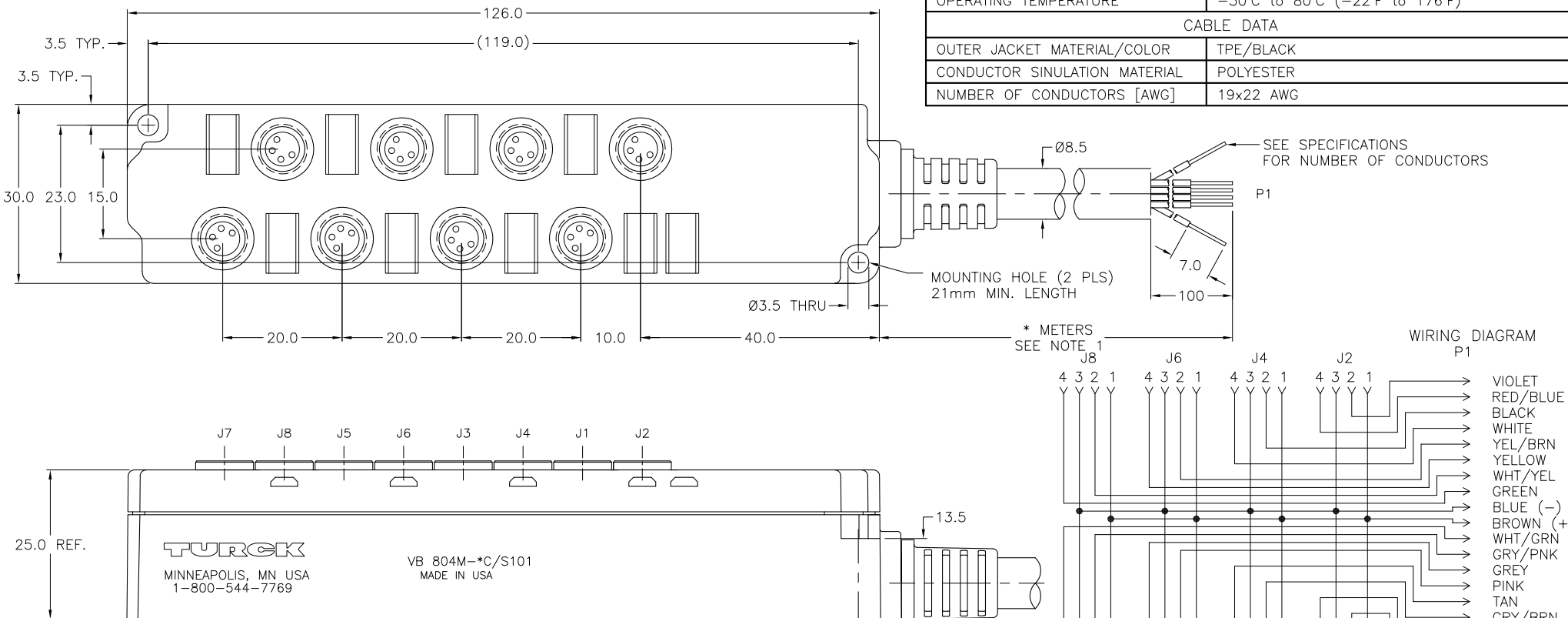


CONNECTORS(J1-J8)



SPECIFICATIONS

HOUSING MATERIAL/COLOR	NYLON/YELLOW
RECEPTACLE MATERIAL/FINISH	BRASS/NICKEL (J1-J8)
CONTACT CARRIER MATERIAL/COLOR	NYLON/YELLOW (J1-J8)
CABLE GLAND MATERIAL/COLOR	RUBBER/BLACK
CONTACTS	BRASS/GOLD
OPERATING VOLTAGE [V]	125 VDC
OPERATING CURRENT [A]	3.0 A PER PORT, 4.0 A TOTAL
PROTECTION CLASS to DIN 40050	IP 67 - ONLY WHEN ALL RECEPTACLES ARE COVERED WITH PLUGS OR CONNECTED
OPERATING TEMPERATURE	-30°C to 80°C (-22°F to 176°F)
CABLE DATA	
OUTER JACKET MATERIAL/COLOR	TPE/BLACK
CONDUCTOR SIMULATION MATERIAL	POLYESTER
NUMBER OF CONDUCTORS [AWG]	19x22 AWG



**TURCK**  
MINNEAPOLIS, MN USA  
1-800-544-7769

VB 804M-\*C/S101  
MADE IN USA

CABLE LENGTH	TOLERANCE
ALL LENGTHS	+ 4% (OR 50mm) OF LENGTH - 0% (OR 0mm) OF LENGTH WHICHEVER IS GREATER
STRIP LENGTH	TOLERANCE
0-7mm	±0.5mm
8-29mm	±1.0mm
30-49mm	±2.0mm
50-69mm	±3.0mm
70-100mm	±4.0mm
OVER 100mm	±5.0mm

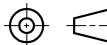
NOTES:

- "\*" INDICATES CABLE LENGTH IN METERS. CONTACT TURCK TO ORDER SPECIFIC LENGTHS.
- "/S101" DESIGNATES FLEXLIFE-20 CABLE.

RELATED DOCUMENTS

- 1.
- 2.
- 3.
- 4.

3RD ANGLE PROJECTION



THIS DRAWING IS PROPERTY OF TURCK INC. USE OF THIS DOCUMENT WITHOUT WRITTEN PERMISSION IS PROHIBITED.

**TURCK INC**  
High Technology Sensors and Automation Controls

3000 CAMPUS DRIVE  
MINNEAPOLIS, MN 55441  
1-800-544-7769  
(763) 553-7300  
(763) 553-0708 fax  
turck.com

MATERIAL

SEE SPECIFICATIONS

FINISH

SEE SPECIFICATIONS

ALL DIMENSIONS DISPLAYED ON THIS DRAWING ARE FOR REFERENCE ONLY

CONTACT TURCK FOR MORE INFORMATION

DRFT RWC

DSGN

UNIT OF MEASUREMENT  
**MILLIMETERS**

DO NOT SCALE THIS DRAWING

DATE 08/07/07

SCALE 1=1.0

DESCRIPTION

VB 804M-\*C/S101

IDENTIFICATION NO.

REV  
A

FILE: 777018829 SHEET 1 OF 1

A	DRAWING RELEASE	RWC	08/07/07	
REV	DESCRIPTION	BY	DATE	ECO NO.