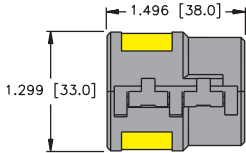
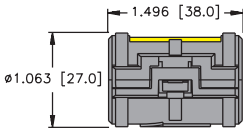
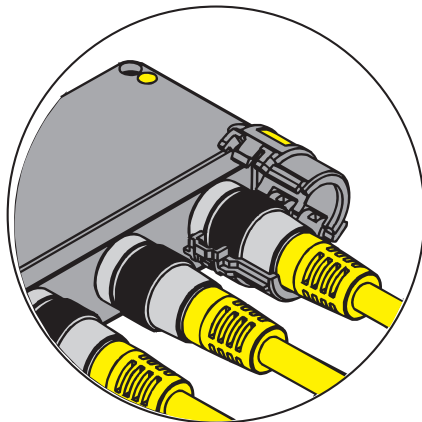


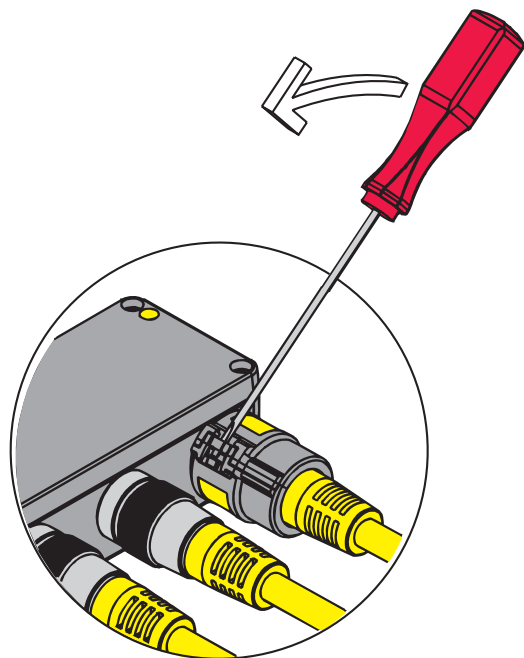
Lokfast™ Guards

| Housing | Part Number | Application |
|---|---------------|--|
|  | SHLD, MINI | Trunk connections are to be locked with a Lokfast Guard to mechanically prevent separation. |
| | SHLD, MINI FW | |
|  | SHLD, EURO | |
| | SHLD, EURO FW | |

Lokfast Guards come 10 per bag.



Lokfast Assembly



Lokfast Disassembly