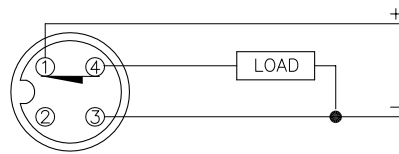
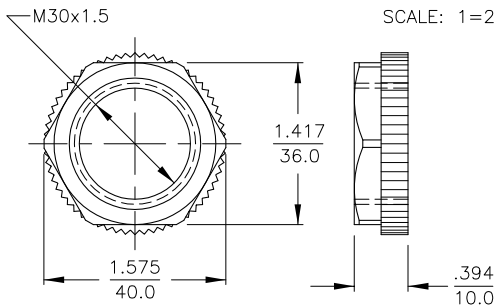


LOCKNUT LN-P30

WIRING DIAGRAM

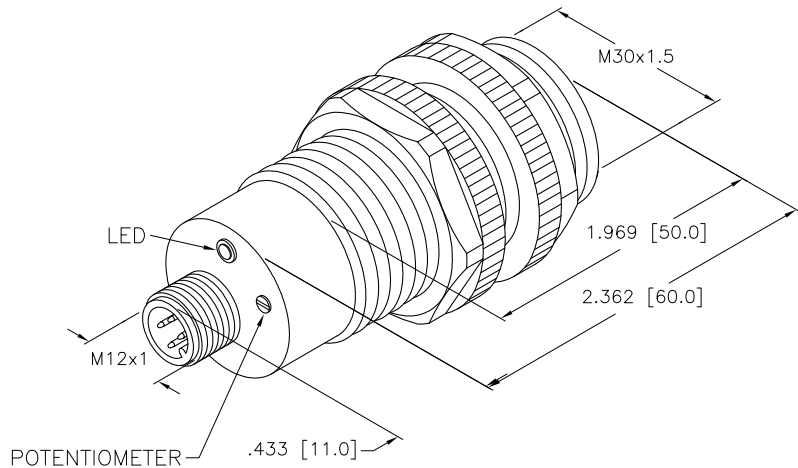
SPECIFICATIONS



OUTPUT: RP4X2

SHORT-CIRCUIT AND OVERLOAD PROTECTED

RATED OPERATING DISTANCE	10mm = .394" (FLUSH MOUNTING)
RATED OPERATING DISTANCE	15mm = .591" (NON-FLUSH MOUNTING)
REPEAT ACCURACY	≤ 2%
TEMPERATURE DRIFT	≤ ± 20%
HYSTERESIS	2-20%
AMBIENT TEMPERATURE	-25°C to +70°C (-13°F to +158°F)
OPERATING VOLTAGE	10-65 VDC
RESIDUAL RIPPLE	≤ 10%
DC RATED OPERATIONAL CURRENT	≤ 200 mA
NO-LOAD CURRENT	≤ 15 mA
RESIDUAL CURRENT	≤ 0.1 mA
RATED INSULATION VOLTAGE	≤ 0.5 kV
OUTPUT FUNCTION	3-WIRE, NORMALLY CLOSED, PNP
SHORT-CIRCUIT PROTECTION	YES
MAX. VOLTAGE DROP	≤ 1.8 V
WIRE BREAK PROTECTION	INCORPORATED
REVERSE POLARITY PROTECTION	INCORPORATED
HOUSING MATERIAL	PLASTIC, PA12-GF30
ACTIVE FACE MATERIAL	PLASTIC, PA12-GF30
CONNECTOR	M12x1
VIBRATION RESISTANCE	55 Hz (IN ALL 3 PLANES)
SHOCK RESISTANCE	30 g, 11 ms
PROTECTION DEGREE	IP67
SWITCHING STATUS INDICATION	LED; YELLOW



SOURCE DRAWING - FOR REFERENCE ONLY

RELATED DOCUMENTS		3RD ANGLE PROJECTION		THIS DRAWING IS PROPERTY OF TURCK INC. USE OF THIS DOCUMENT WITHOUT WRITTEN PERMISSION IS PROHIBITED.		 3000 CAMPUS DRIVE MINNEAPOLIS, MN 55441 1-800-544-7769 (763) 553-7300 (763) 553-0708 fax turck.com	
1.			ALL DIMENSIONS DISPLAYED ON THIS DRAWING ARE FOR REFERENCE ONLY	DRFT	RDS	DATE	08/12/08
2.				DSGN		SCALE	1=1.3
3.		CONTACT TURCK FOR MORE INFORMATION	UNIT OF MEASUREMENT INCH [MILLIMETER]	DESCRIPTION			
4.				BCC10-S30-RP4X-H1143			
MATERIAL		SEE NOTES		IDENTIFICATION NO.		REV	
FINISH		SEE NOTES		M1542562		B	
B		UPDATE WIRING DIAGRAM		RDS		11/12/09 28845	
REV		DESCRIPTION		BY		DATE ECO NO.	
				DO NOT SCALE THIS DRAWING		FILE: M1542562 SHEET 1 OF 1	