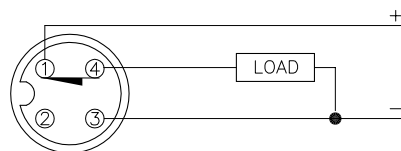
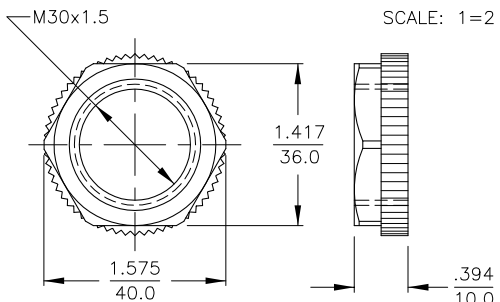


LOCKNUT LN-P30

WIRING DIAGRAM

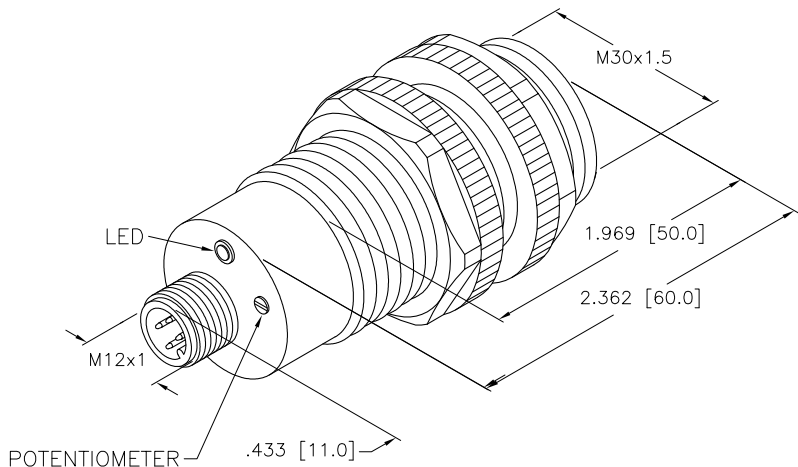
SPECIFICATIONS



OUTPUT: RP4X2

SHORT-CIRCUIT AND OVERLOAD PROTECTED

RATED OPERATING DISTANCE	10mm = .394" (FLUSH MOUNTING)
RATED OPERATING DISTANCE	15mm = .591" (NON-FLUSH MOUNTING)
REPEAT ACCURACY	≤ 2%
TEMPERATURE DRIFT	≤ ± 20%
HYSTERESIS	2-20%
AMBIENT TEMPERATURE	-25°C to +70°C (-13°F to +158°F)
OPERATING VOLTAGE	10-65 VDC
RESIDUAL RIPPLE	≤ 10%
DC RATED OPERATIONAL CURRENT	≤ 200 mA
NO-LOAD CURRENT	≤ 15 mA
RESIDUAL CURRENT	≤ 0.1 mA
RATED INSULATION VOLTAGE	≤ 0.5 kV
OUTPUT FUNCTION	3-WIRE, NORMALLY CLOSED, PNP
SHORT-CIRCUIT PROTECTION	YES
MAX. VOLTAGE DROP	≤ 1.8 V
WIRE BREAK PROTECTION	INCORPORATED
REVERSE POLARITY PROTECTION	INCORPORATED
HOUSING MATERIAL	PLASTIC, PA12-GF30
ACTIVE FACE MATERIAL	PLASTIC, PA12-GF30
CONNECTOR	M12x1
VIBRATION RESISTANCE	55 Hz (IN ALL 3 PLANES)
SHOCK RESISTANCE	30 g, 11 ms
PROTECTION DEGREE	IP67
SWITCHING STATUS INDICATION	LED; YELLOW



SOURCE DRAWING - FOR REFERENCE ONLY

RELATED DOCUMENTS		3RD ANGLE PROJECTION		THIS DRAWING IS PROPERTY OF TURCK INC. USE OF THIS DOCUMENT WITHOUT WRITTEN PERMISSION IS PROHIBITED.		 High Technology Sensors and Automation Controls		3000 CAMPUS DRIVE MINNEAPOLIS, MN 55441 1-800-544-7769 (763) 553-7300 (763) 553-0708 fax turck.com	
1. 2. 3. 4.				DRFT	RDS	DATE	11/12/09	DESCRIPTION	
MATERIAL		ALL DIMENSIONS DISPLAYED ON THIS DRAWING ARE FOR REFERENCE ONLY		DSGN		SCALE	1=1.3	BCC10-S30-RP4X-H1143/CS11262	
SEE NOTES		CONTACT TURCK FOR MORE INFORMATION		UNIT OF MEASUREMENT		INCH [MILLIMETER]		IDENTIFICATION NO.	REV
SEE NOTES				DO NOT SCALE THIS DRAWING				M1542570	A
A	DRAWING RELEASE	RDS	11/12/09					FILE: M1542570	SHEET 1 OF 1
REV	DESCRIPTION	BY	DATE	ECO NO.					