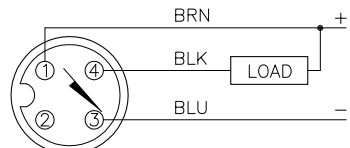


WIRING DIAGRAM

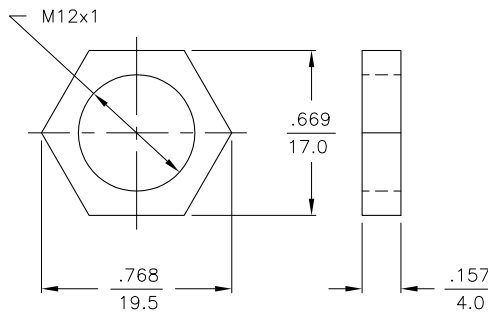
LOCKNUT LN-MT12

SPECIFICATIONS

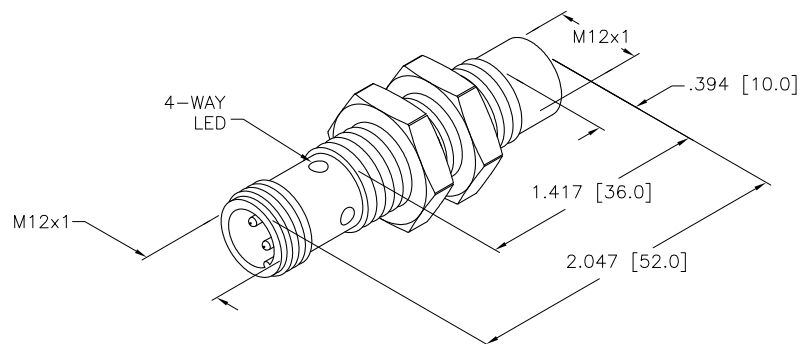


OUTPUT: AN6X

SHORT-CIRCUIT AND OVERLOAD PROTECTED



OPERATING VOLTAGE	10-30 VDC
RIPPLE	≤ 10%
HYSTERESIS	3-15%
VOLTAGE DROP ACROSS CONDUCTING SENSOR	≤ 1.8 V at 200 mA
OUTPUT FUNCTION	NORMALLY OPEN 3-WIRE DC SELF-CONTAINED
TTL COMPATIBLE	NO
SHORT-CIRCUIT PROTECTED	YES
TRIGGER CURRENT FOR OVERLOAD PROTECTION	≥ 220 mA
CONTINUOUS LOAD CURRENT	≤ 200 mA
RESIDUAL CURRENT	< 100 uA
NO-LOAD CURRENT	≤ 15 mA
TIME DELAY BEFORE AVAILABILITY	≤ 8 ms
POWER-ON EFFECT PROTECTION	PER IEC 947-5-2
REVERSE POLARITY PROTECTION	INCORPORATED
WIRE-BREAK PROTECTION	INCORPORATED
PROTECTION AGAINST TRANSIENTS	PER EN 60947-5-2
OPERATING TEMPERATURE (10% DRIFT)	-25°C to +70°C (-13°F to +158°F)
OPERATING TEMPERATURE (15% DRIFT)	-30°C to +85°C (-22°F to +185°F)
ENCLOSURE	MEETS NEMA 1, 3, 4, 6, 13 AND IEC IP67
SHOCK	30 g, 11 ms
VIBRATION	55 Hz, 1 mm AMPLITUDE (IN ALL 3 PLANES)
LED FUNCTION	YELLOW = OUTPUT ENERGIZED
RATED OPERATING DISTANCE	8 mm = .315"
SWITCHING FREQUENCY	2000 Hz
REPEATABILITY	≤ 2% of RATED OPERATING DISTANCE
EMBEDDABLE (SHIELDED)	NO



NOTES:

1. UPROX HAS WELD FIELD IMMUNITY, SENSOR IS SUITABLE FOR USE ON RESISTANCE MACHINES.

2. MATERIAL:
- TEFLON- COATED BRASS BARREL
 - CHROME- PLATED BRASS CONNECTOR
 - TEFLON- COATED BRASS LOCKNUTS
 - SILVER- CHROMATED STEEL LOCKWASHERS
 - TEFLON-COATED PA-12GF30 PLASTIC SENSING FACE

RELATED DOCUMENTS		3RD ANGLE PROJECTION		THIS DRAWING IS PROPERTY OF TURCK INC. USE OF THIS DOCUMENT WITHOUT WRITTEN PERMISSION IS PROHIBITED.		 High Technology Sensors and Automation Controls		3000 CAMPUS DRIVE MINNEAPOLIS, MN 55441 1-800-544-7769 (763) 553-7300 (763) 553-0708 fax turck.com		
1. 2. 3. 4.				DRFT CBM		DATE 01/14/00		DESCRIPTION Ni 8U-MT12-AN6X-H1141		
MATERIAL SEE NOTES				DSGN		SCALE 1=1.0				
FINISH		ALL DIMENSIONS DISPLAYED ON THIS DRAWING ARE FOR REFERENCE ONLY CONTACT TURCK FOR MORE INFORMATION		UNIT OF MEASUREMENT INCH [MILLIMETER]				IDENTIFICATION NO. M1644250		REV B
B UPDATE BARREL LENGTH				RDS 06/16/11 35386		DO NOT SCALE THIS DRAWING				FILE: M1644250
REV DESCRIPTION		BY DATE ECO NO.								