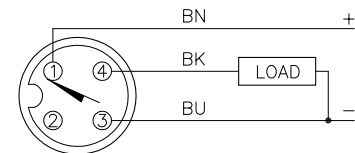
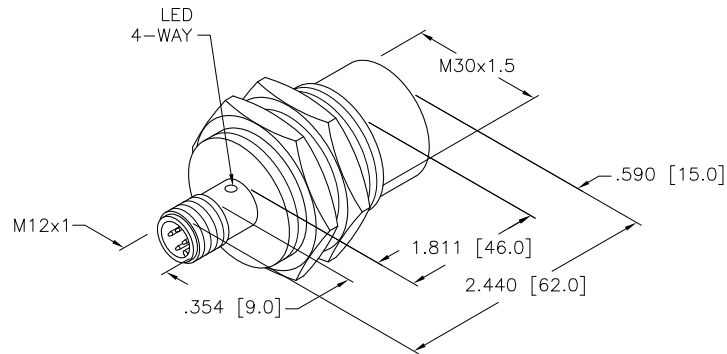


WIRING DIAGRAM



OUTPUT: AP6X

SHORT-CIRCUIT AND OVERLOAD PROTECTED



SPECIFICATIONS

OPERATING VOLTAGE	10-30 VDC
DIFFERENTIAL TRAVEL (HYSTERESIS)	3-15% (5% TYPICAL)
RIPPLE	≤ 10%
VOLTAGE DROP ACROSS CONDUCTING SENSOR	≤ 1.8 V at 200 mA
OUTPUT FUNCTION	NORMALLY OPEN, 3-WIRE DC
TTL COMPATIBLE	NO
SHORT-CIRCUIT PROTECTED	YES
TRIGGER CURRENT FOR OVERLOAD PROTECTION	≥ 220 mA
CONTINUOUS LOAD CURRENT	≤ 200 mA
OFF-STATE (LEAKAGE) CURRENT	< 100 μA
NO-LOAD CURRENT	≤ 10 ms
TIME DELAY BEFORE AVAILABILITY	≤ 8 ms
POWER-ON EFFECT	Per IEC 60947-5-2
REVERSE POLARITY PROTECTION	YES
WIRE-BREAK PROTECTION	YES
TRANSIENT PROTECTION	Per EN 60947-5-2
OPERATING TEMPERATURE(10% TEMP. DRIFT)	-25°C to +70°C (-13°F to +158°F)
OPERATING TEMPERATURE(15% TEMP. DRIFT)	-30°C to +85°C (-22°F to +185°F)
ENCLOSURE	MEETS NEMA 1, 3, 4, 6, 13 AND IEC IP67
SHOCK	30 g, 11 ms
VIBRATION	55 Hz, 1 mm AMPLITUDE (IN ALL 3 PLANES)
LED FUNCTION	YELLOW: OUTPUT ENERGIZED
SENSING RANGE	20 mm = .787" (NOMINAL)
SWITCHING FREQUENCY	1500 Hz
REPEATABILITY	≤ 2% of RATED OPERATING DISTANCE
EMBEDDABLE (SHIELDED)	NO
MATING PLUGS/CABLES	4-PIN "EUROFAST" CONSTRUCTION (STAINLESS STEEL)
LOCKNUT M30x1.5	36 mm AF, 41.5 mm AC, 4 mm THK

SOURCE DRAWING - FOR REFERENCE ONLY

NOTES:

1. UPROX HAS FIELD IMMUNITY, SENSOR IS SUITABLE FOR USE ON RESISTANCE MACHINES.

2. MATERIALS:

BARREL - STAINLESS STEEL  
 LOCKNUTS - STAINLESS STEEL  
 CONNECTOR - STAINLESS STEEL  
 SENSING FACE - PA12-GF30 PLASTIC

RELATED DOCUMENTS		3RD ANGLE PROJECTION		THIS DRAWING IS PROPERTY OF TURCK INC. USE OF THIS DOCUMENT WITHOUT WRITTEN PERMISSION IS PROHIBITED.		 3000 CAMPUS DRIVE MINNEAPOLIS, MN 55441 1-800-544-7769 (763) 553-7300 (763) 553-0708 fax turck.com	
1. 2. 3. 4.				DRFT IK		DATE 2/16/01	
MATERIAL		ALL DIMENSIONS DISPLAYED ON THIS DRAWING ARE FOR REFERENCE ONLY		DSGN		SCALE 1=2.0	
SEE NOTE 2		CONTACT TURCK FOR MORE INFORMATION		UNIT OF MEASUREMENT		DESCRIPTION	
FINISH		INCH [ MILLIMETER ]		DO NOT SCALE THIS DRAWING		NI20U-EM30-AP6X-H1141	
COPPER/NICKEL CHROME PLATING						IDENTIFICATION NO. M1646340	
A		DRAWING RELEASE		RDS		01/29/07	
REV		DESCRIPTION		BY		DATE	
						ECO NO.	
						REV A	
						FILE: M1646340	
						SHEET 1 OF 1	