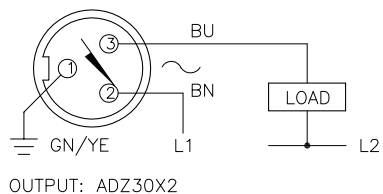
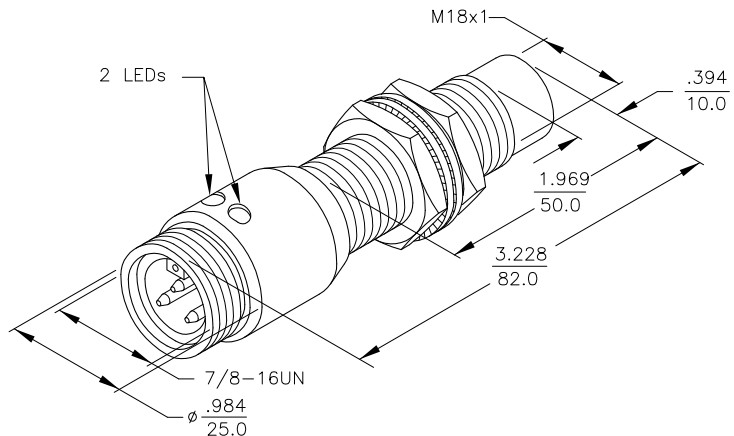
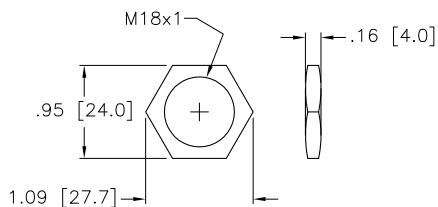


WIRING DIAGRAM



SHORT-CIRCUIT AND OVERLOAD PROTECTED

LOCKNUT LN-M18



- NOTES: 1. MATERIALS:
 BARREL - STAINLESS STEEL
 LOCKNUTS - STAINLESS STEEL
 LOCKWASHERS - STAINLESS STEEL
 CONNECTOR -
 SENSING FACE - PA12-GF30 PLASTIC
 2. WELD FIELD IMMUNE, SENSOR IS SUITABLE FOR USE ON RESISTANCE WELDING MACHINES.

SPECIFICATIONS

OPERATING VOLTAGE	20-250 VAC 10-300 VDC
LINE FREQUENCY	40-60 Hz
DIFFERENTIAL TRAVEL (HYSTERESIS)	3-15% (5% TYPICAL)
VOLTAGE DROP ACROSS CONDUCTING SENSOR	≤6.0 V at 400 mA
OUTPUT FUNCTION -ADZ	NORMALLY OPEN 2-WIRE AC/DC SELF-CONTAINED
SHORT-CIRCUIT PROTECTED	YES
TRIGGER CURRENT FOR OVERLOAD PROTECTION	≥440 mA
CONTINUOUS LOAD CURRENT	400 mA AC MAX. 300 mA DC MAX.
OFF-STATE (LEAKAGE) CURRENT	≤1.7 mA
MINIMUM LOAD CURRENT	≥3.0 mA
INRUSH CURRENT	≤4 A (≤20 ms/5 Hz)
TIME DELAY BEFORE AVAILABILITY	≤120 ms
POWER-ON EFFECT PROTECTION	INCORPORATED
PROTECTION AGAINST TRANSIENTS	EN 60947-5-2
OPERATING TEMPERATURE	-25°C to +70°C (±10% DRIFT) -30°C to +85°C (±15% DRIFT)
ENCLOSURE	MEETS NEMA 1, 3, 4, 6, 13 AND IEC IP67
SHOCK	30 g, 11 ms
VIBRATION	55 Hz, 1 mm AMPLITUDE (IN ALL 3 PLANES)
LED FUNCTION	GREEN: STEADY-POWER ON FLASHING = SHORT-CIRCUIT WARNING YELLOW: OUTPUT ENERGIZED
RATED OPERATING DISTANCE(Sn)	12 mm = .472" (NOMINAL)
SWITCHING FREQUENCY	60 Hz
REPEATABILITY	≤2% of RATED OPERATING DISTANCE
MATING PLUGS/CABLES	3-PIN "MINIFAST" CONSTRUCTION

SOURCE DRAWING - FOR REFERENCE ONLY

RELATED DOCUMENTS 1. 2. 3. 4.	3RD ANGLE PROJECTION	THIS DRAWING IS PROPERTY OF TURCK INC. USE OF THIS DOCUMENT WITHOUT WRITTEN PERMISSION IS PROHIBITED.	3000 CAMPUS DRIVE MINNEAPOLIS, MN 55441 1-800-544-7769 (763) 553-7300 (763) 553-0708 fax turck.com	
			DRFT JBJ DATE 01/30/03	DESCRIPTION Ni12U-EG18-ADZ30X2-B1331
MATERIAL SEE NOTES	ALL DIMENSIONS DISPLAYED ON THIS DRAWING ARE FOR REFERENCE ONLY	DSGN	SCALE NONE	IDENTIFICATION NO. M4281432
FINISH SEE NOTES		UNIT OF MEASUREMENT INCH [MILLIMETER]		
A DRAWING RELEASE JBJ 02/07/03		DO NOT SCALE THIS DRAWING		FILE: M4281432
REV	DESCRIPTION	BY	DATE	ECO NO.