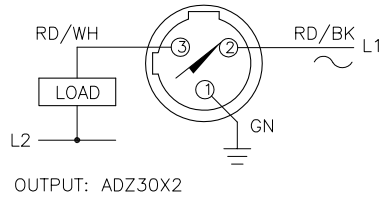
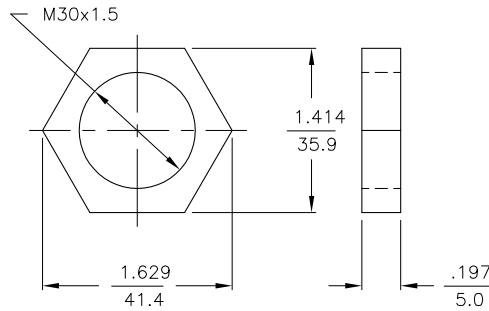


WIRING DIAGRAM



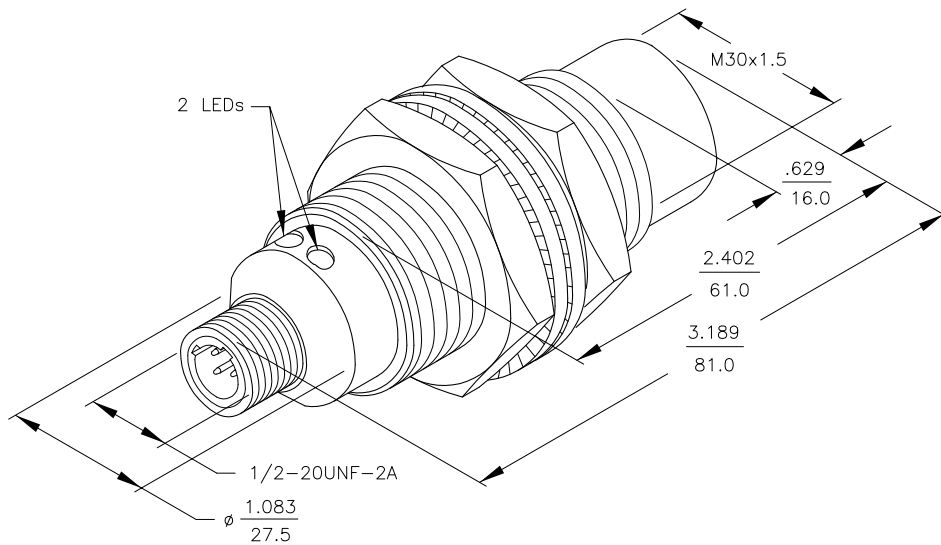
SHORT-CIRCUIT AND OVERLOAD PROTECTED

LOCKNUT LN-MT30



SPECIFICATIONS

OPERATING VOLTAGE	20-250 VAC 10-300 VDC
LINE FREQUENCY	40-60 Hz
DIFFERENTIAL TRAVEL (HYSTERESIS)	3-15% (5% TYPICAL)
VOLTAGE DROP ACROSS CONDUCTING SENSOR	≤6.0 V at 400 mA
OUTPUT FUNCTION	NORMALLY OPEN 2-WIRE AC/DC SELF-CONTAINED
SHORT-CIRCUIT PROTECTED	YES
TRIGGER CURRENT FOR OVERLOAD PROTECTION	AC: ≥ 440 mA; DC: ≥ 330 mA
CONTINUOUS LOAD CURRENT	AC: ≤ 400 mA; DC: ≤ 300 mA
OFF-STATE (LEAKAGE) CURRENT	≤ 1.7 mA
MINIMUM LOAD CURRENT	≥ 3.0 mA
INRUSH CURRENT	4.0 A (≤ 20 ms/10% DUTY CYCLE)
TIME DELAY BEFORE AVAILABILITY	≤ 120 ms
POWER-ON EFFECT PROTECTION	INCORPORATED
PROTECTION AGAINST TRANSIENTS	PER IEC 60947-5-2
OPERATING TEMPERATURE	-25°C to +70°C (±10% DRIFT) -30°C to +85°C (±15% DRIFT)
ENCLOSURE	MEETS NEMA 1, 3, 4, 6, 13 AND IEC IP 67
SHOCK	30 g, 11 ms
VIBRATION	55 Hz, 1 mm AMPLITUDE (IN ALL 3 PLANES)
LED FUNCTION	GREEN = POWER ON GREEN FLASHING = SHORT-CIRCUIT WARNING YELLOW = OUTPUT ENERGIZED
RATED OPERATING DISTANCE(S _n)	20 mm = .787" (NOMINAL)
SWITCHING FREQUENCY	60 Hz
REPEATABILITY	≤ 2% OF RATED OPERATING DISTANCE
EMBEDDABLE (SHIELDED)	NO
MATING PLUGS/CABLES	3-PIN "MICROFAST" CONSTRUCTION



NOTES:

- WELD FIELD IMMUNE. SENSORS IS SUITABLE FOR USE ON RESISTANCE WELDING MACHINES.
- MATERIALS:
TEFLON COATED BRASS BARREL.
CHROME PLATED BRASS CONNECTOR.
TEFLON COATED BRASS LOCKNUTS.
BLACK CHROMATED STEEL LOCKWASHERS.
TEFLON COATED PA 12-GF30 PLASTIC SENSING FACE.

RELATED DOCUMENTS 1. 2. 3. 4.	3RD ANGLE PROJECTION 	THIS DRAWING IS PROPERTY OF TURCK INC. USE OF THIS DOCUMENT WITHOUT WRITTEN PERMISSION IS PROHIBITED.		3000 CAMPUS DRIVE MINNEAPOLIS, MN 55441 1-800-544-7769 (763) 553-7300 (763) 553-0708 fax turck.com	
	MATERIAL SEE NOTE 2	DRFT IK	DATE 9/17/97	DESCRIPTION Ni20U-GT30-ADZ30X2-B3131	
FINISH	ALL DIMENSIONS DISPLAYED ON THIS DRAWING ARE FOR REFERENCE ONLY	DSGN	SCALE NONE	UNIT OF MEASUREMENT INCH [MILLIMETER]	IDENTIFICATION NO. M4281823
B UPDATE TO CURRENT TITLE BLOCK	RDS 09/13/02	5504	CONTACT TURCK FOR MORE INFORMATION		REV B
REV DESCRIPTION	BY	DATE	ECO NO.	DO NOT SCALE THIS DRAWING	FILE: M4281823 SHEET 1 OF 1