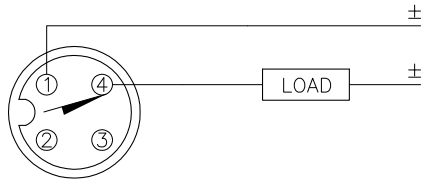


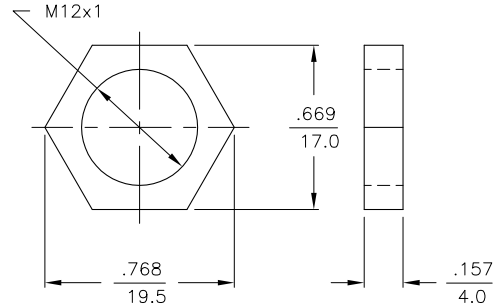
WIRING DIAGRAM



OUTPUT: AD4X

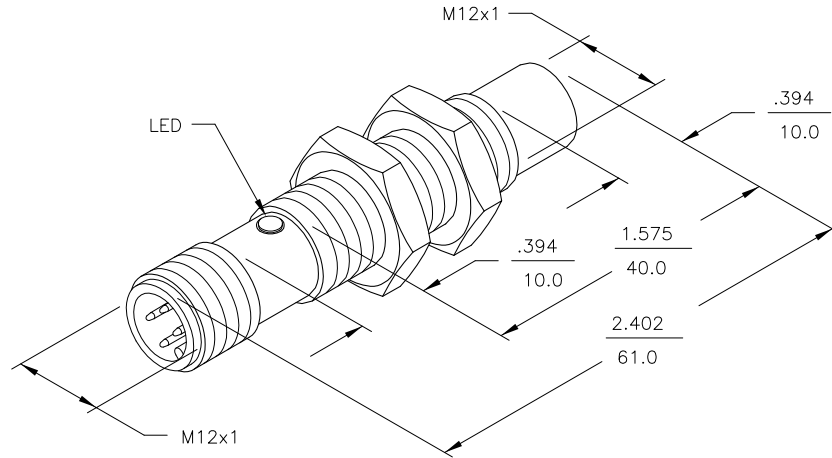
SHORT-CIRCUIT AND OVERLOAD PROTECTED

LOCKNUT LN-M12



SPECIFICATIONS

OPERATING VOLTAGE	10-65 VDC
RIPPLE	≤10%
DIFFERENTIAL TRAVEL (HYSTERESIS)	3-15% (5% TYPICAL)
VOLTAGE DROP ACROSS CONDUCTING SENSOR	≤5.0 V at 100 mA
OUTPUT FUNCTION	NORMALLY OPEN 2-WIRE DC SELF-CONTAINED
TTL COMPATIBLE	NO
SHORT-CIRCUIT PROTECTED	YES
TRIGGER CURRENT FOR OVERLOAD PROTECTION	≥120 mA
MAXIMUM LOAD CURRENT	≤100 mA
MINIMUM LOAD CURRENT	≥3.0 mA
OFF-STATE (LEAKAGE) CURRENT	≤0.8 mA
TIME DELAY BEFORE AVAILABILITY	≤10 ms
POWER-ON EFFECT PROTECTION	INCORPORATED
PROTECTION AGAINST TRANSIENTS	2 kV, 1 ms, 1 kΩ
OPERATING TEMPERATURE	-25°C to +70°C (-13°F to +158°F)
ENCLOSURE	MEETS NEMA 1, 3, 4, 6, 13 AND IEC IP67
SHOCK	30 g, 11 ms
VIBRATION	55 Hz, 1 mm AMPLITUDE (IN ALL 3 PLANES)
LED FUNCTION	RED: OUTPUT ENERGIZED
RATED OPERATING DISTANCE(Sn)	4 mm = .157" (NOMINAL)
SWITCHING FREQUENCY	1000 Hz
REPEATABILITY	≤2% of RATED OPERATING DISTANCE
EMBEDDABLE (SHIELDED)	NO
MATING PLUGS/CABLES	4-PIN "EUROFAST" CONSTRUCTION



NOTES:

NOTES: 1. THIS SENSOR MAY BE USED AS A SINKING OR SOURCING DEVICE.
(SEE WIRING DIAGRAM)

RELATED DOCUMENTS		3RD ANGLE PROJECTION		THIS DRAWING IS PROPERTY OF TURCK INC. USE OF THIS DOCUMENT WITHOUT WRITTEN PERMISSION IS PROHIBITED.		 3000 CAMPUS DRIVE MINNEAPOLIS, MN 55441 1-800-544-7769 (763) 553-7300 (763) 553-0708 fax turck.com		
1.			ALL DIMENSIONS DISPLAYED ON THIS DRAWING ARE FOR REFERENCE ONLY	DRFT	JMS	DATE	11/7/95	
2.				DSGN		SCALE	NONE	DESCRIPTION
3.		UNIT OF MEASUREMENT				IDENTIFICATION NO.		REV
4.		INCH [MILLIMETER]				M4406701		B
MATERIAL		BRASS BARREL		DO NOT SCALE THIS DRAWING				FILE: M4406701
FINISH		COPPER/NICKEL/ CHROME PLATING		CONTACT TURCK FOR MORE INFORMATION				SHEET 1 OF 1

B	UPDATE WIRING DIAGRAM	RDS	04/05/06	14913
REV	DESCRIPTION	BY	DATE	ECO NO.