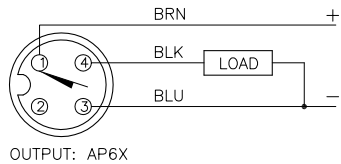
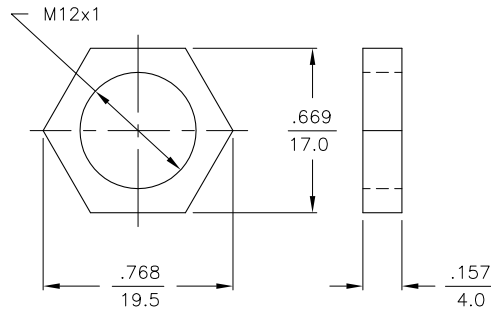


WIRING DIAGRAM



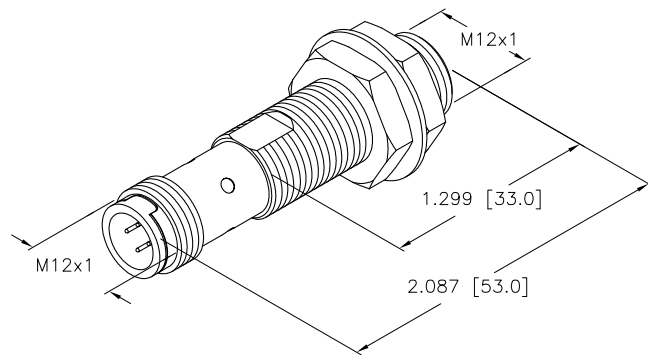
LOCKNUT SS-M12 (TEFLON-COATED)



SHORT-CIRCUIT AND OVERLOAD PROTECTED

SPECIFICATIONS

RATED OPERATING DISTANCE	2 mm = .079"
MOUNTING MODE	FLUSH
TEMPERATURE DRIFT	±10%
HYSTERESIS	3-15%
MIN. REPEAT ACCURACY	±2%
OPERATING TEMPERATURE	-25°C to +70°C (-13°F to +158°F)
RATED OPERATIONAL VOLTAGE	10-30 VDC
RESIDUAL RIPPLE	≤ 10%
DC RATED OPERATIONAL CURRENT	≤ 200 mA
NO LOAD CURRENT	≤ 15 mA
RESIDUAL CURRENT	≤ 0.1 mA
RATED INSULATION VOLTAGE	≤ 0.5 kV
SHORT-CIRCUIT PROTECTION	YES
MAX. VOLTAGE DROP	≤ 1.8 V
WIRE BREAKAGE PROTECTION	INCORPORATED
REVERSE POLARITY PROTECTION	INCORPORATED
OUTPUT FUNCTION	3-WIRE, NORMALLY OPEN, PNP
MAX. SWITCHING FREQUENCY	≤ 0.1 kHz
HOUSING MATERIAL	316L SST (TEFLON-COATED)
ACTIVE FACE MATERIAL	316L SST (TEFLON-COATED)
CONNECTOR	M12x1
VIBRATION RESISTANCE	55 Hz (IN ALL 3 PLANES)
SHOCK RESISTANCE	30 g, 11 ms
DEGREE OF PROTECTION	IP 68/IP69K
SWITCHING STATUS INDICATION	LED, YELLOW



**NOTE
PRELIMINARY
SPECIFICATIONS**

SOURCE DRAWING - FOR REFERENCE ONLY

RELATED DOCUMENTS		3RD ANGLE PROJECTION		THIS DRAWING IS PROPERTY OF TURCK INC. USE OF THIS DOCUMENT WITHOUT WRITTEN PERMISSION IS PROHIBITED.		TURCK INC High Technology Sensors and Automation Controls 3000 CAMPUS DRIVE MINNEAPOLIS, MN 55441 1-800-544-7769 (763) 553-7300 (763) 553-0708 fax turck.com	
1.				DRFT RDS		DATE 04/22/10	
2.				DSGN		SCALE 1=1.0	
3.		ALL DIMENSIONS DISPLAYED ON THIS DRAWING ARE FOR REFERENCE ONLY CONTACT TURCK FOR MORE INFORMATION		UNIT OF MEASUREMENT		DESCRIPTION	
4.				INCH [MILLIMETER]		BI 2-EGT12F-AP6X-H1141	
MATERIAL		FINISH		IDENTIFICATION NO.		REV	
				M4614697		P1	
P1		RDS 04/22/10		DO NOT SCALE THIS DRAWING		FILE: M4614697	
REV DESCRIPTION		BY DATE ECO NO.		SHEET 1 OF 1			