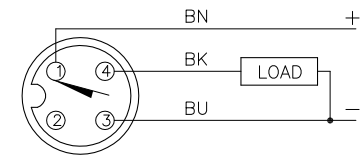


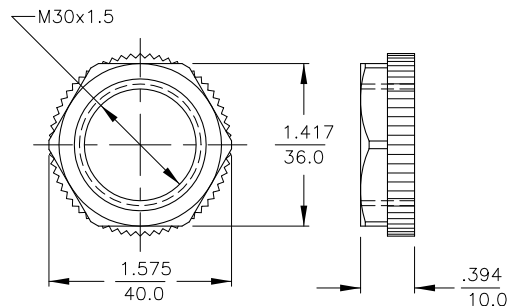
WIRING DIAGRAM



OUTPUT: AP6X

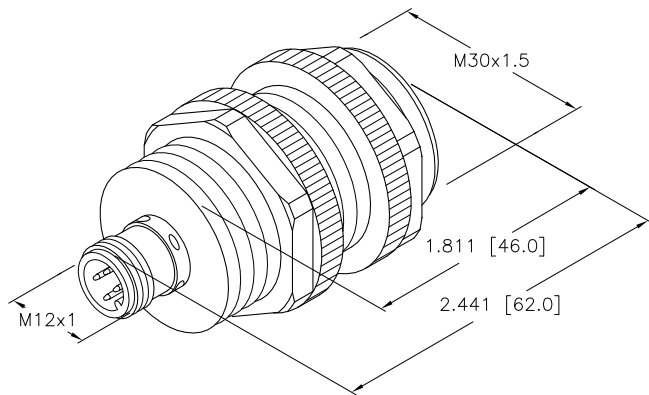
SHORT-CIRCUIT AND OVERLOAD PROTECTED

LOCKNUT LN-P30



SPECIFICATIONS

RATED OPERATING DISTANCE	15mm = .591" (NOMINAL)
REPEAT ACCURACY	≤ 2%
TEMPERATURE DRIFT	≤ ±10%
HYSTERESIS	3-15%
AMBIENT TEMPERATURE	-40°C to +70°C (-40°F to +158°F)
OPERATING VOLTAGE	10-30 VDC
RESIDUAL RIPPLE	≤ 10%
DC RATED OPERATIONAL CURRENT	≤ 200 mA
NO-LOAD CURRENT	≤ 15 mA
RESIDUAL CURRENT	≤ 0.1 mA
RATED INSULATION VOLTAGE	≤ 0.5 kV
SHORT-CIRCUIT PROTECTION	YES
MAX. VOLTAGE DROP	≤ 1.8 V
WIRE BREAKAGE PROTECTION	INCORPORATED
REVERSE POLARITY PROTECTION	INCORPORATED
OUTPUT FUNCTION	NORMALLY OPEN, 3-WIRE, PNP
SWITCHING FREQUENCY	≤ 0.5 kHz
CONNECTOR	M12x1
VIBRATION RESISTANCE	55 Hz (IN ALL 3 PLANES)
SHOCK RESISTANCE	30 g, 11 ms
PROTECTION DEGREE	IP67



SOURCE DRAWING - FOR REFERENCE ONLY

NOTES:

1. "/S97" INDICATES LOW TEMPERATURE SENSOR TO -40°C.

RELATED DOCUMENTS		3RD ANGLE PROJECTION		THIS DRAWING IS PROPERTY OF TURCK INC. USE OF THIS DOCUMENT WITHOUT WRITTEN PERMISSION IS PROHIBITED.		 3000 CAMPUS DRIVE MINNEAPOLIS, MN 55441 1-800-544-7769 (763) 553-7300 (763) 553-0708 fax turck.com	
1. 2. 3. 4.				DRFT RDS	DATE 11/29/06	DESCRIPTION NI15-S30-AP6X-H1141/S97	
MATERIAL PA 12-GF30 PLASTIC BARREL		ALL DIMENSIONS DISPLAYED ON THIS DRAWING ARE FOR REFERENCE ONLY		DSGN -	SCALE NONE	IDENTIFICATION NO. M4658201	
FINISH		CONTACT TURCK FOR MORE INFORMATION		UNIT OF MEASUREMENT <b>INCH [ MILLIMETER ]</b>		REV A	
A	DRAWING RELEASE	RDS	11/29/06	DO NOT SCALE THIS DRAWING		FILE: M4658201	SHEET 1 OF 1
REV	DESCRIPTION	BY	DATE				