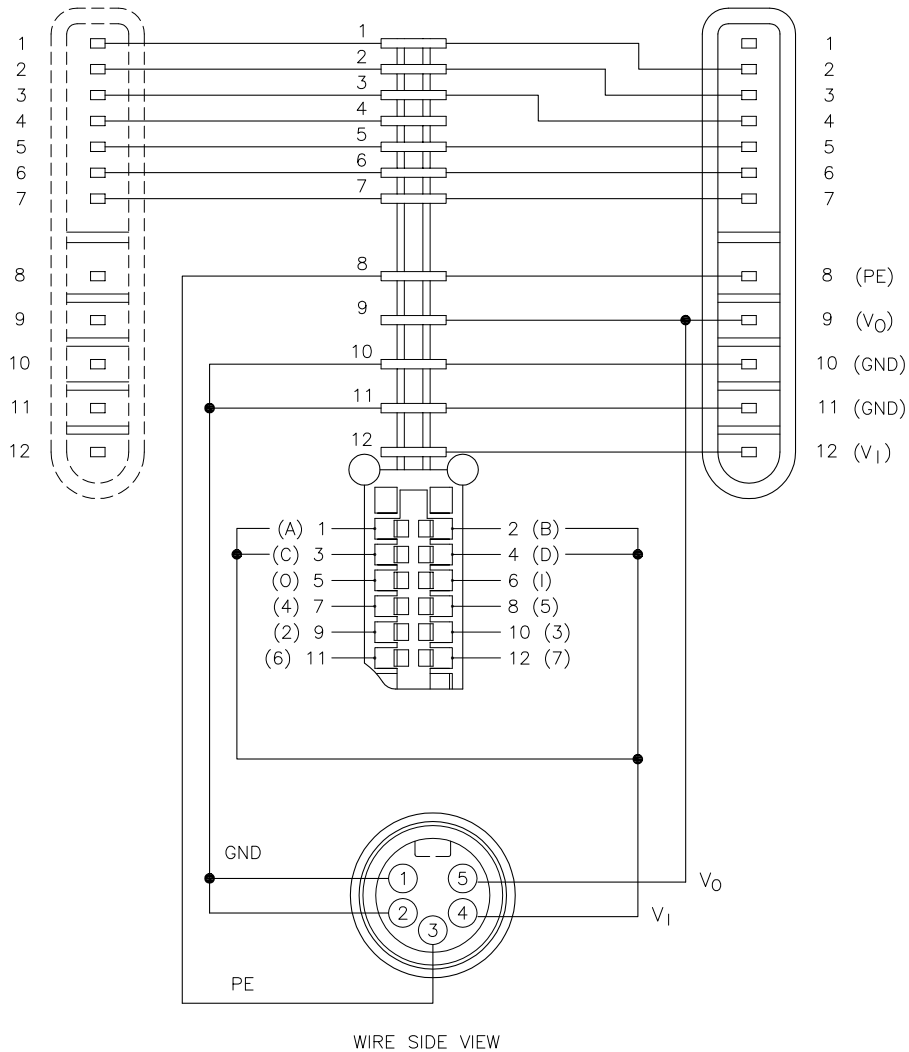
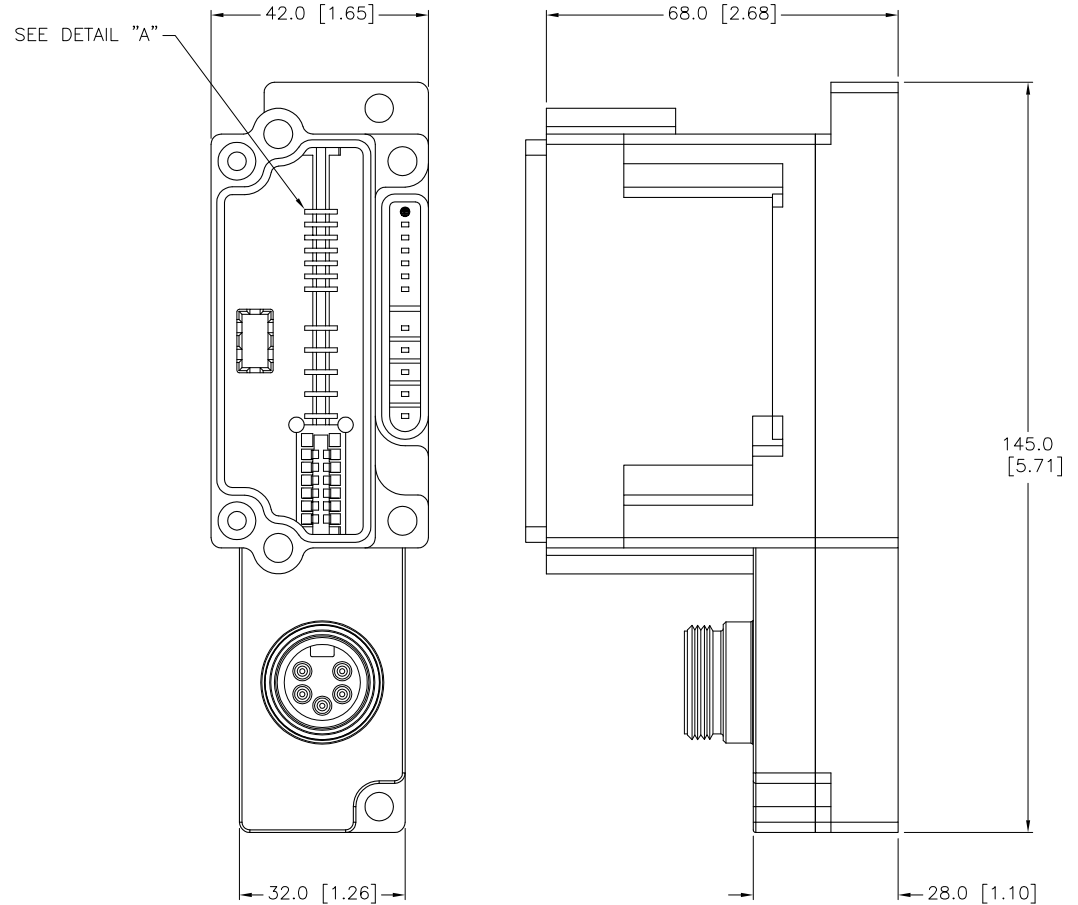


DETAIL "A"



| SPECIFICATIONS | |
|-----------------------------|-----------------------------------------------------------|
| HOUSING MATERIAL/COLOR | PC-VO (LEXAN)/GREY |
| RECEPTACLE MATERIAL/PLATING | BRASS/NICKEL |
| RATED CURRENT [A] | 10.0 A (MINIFAST) 4.0 A (EUROFAST) 4.0 A (PICOFAST) |



SOURCE DRAWING - FOR REFERENCE ONLY

| | | | | | | |
|-------------------------------------------|--------------------------|-----------------------------------------------------------------------------------------------------------|---------------------------------------------------|-------------------------------------------------------------------------------------------------------------------|--------------------------------|--|
| RELATED DOCUMENTS 1. 2. 3. 4. | 3RD ANGLE PROJECTION | THIS DRAWING IS PROPERTY OF TURCK INC. USE OF THIS DOCUMENT WITHOUT WRITTEN PERMISSION IS PROHIBITED. | | 3000 CAMPUS DRIVE MINNEAPOLIS, MN 55441 1-800-544-7769 (763) 553-7300 (763) 553-0708 fax turck.com | | |
| | MATERIAL | DRFT RDS | DATE 04/29/05 | DESCRIPTION BL67-B-1RSM | | |
| | FINISH | ALL DIMENSIONS DISPLAYED ON THIS DRAWING ARE FOR REFERENCE ONLY CONTACT TURCK FOR MORE INFORMATION | DSGN | SCALE 1=1.5 | IDENTIFICATION NO. M6827190 | |
| | | | UNIT OF MEASUREMENT MILLIMETER [INCH] | | REV A | |
| A | DRAWING RELEASE | RDS | 05/06/05 | DO NOT SCALE THIS DRAWING | | |
| REV | DESCRIPTION | BY | DATE | ECO NO. | FILE: M6827190 | |
| | | | | SHEET 1 OF 1 | | |