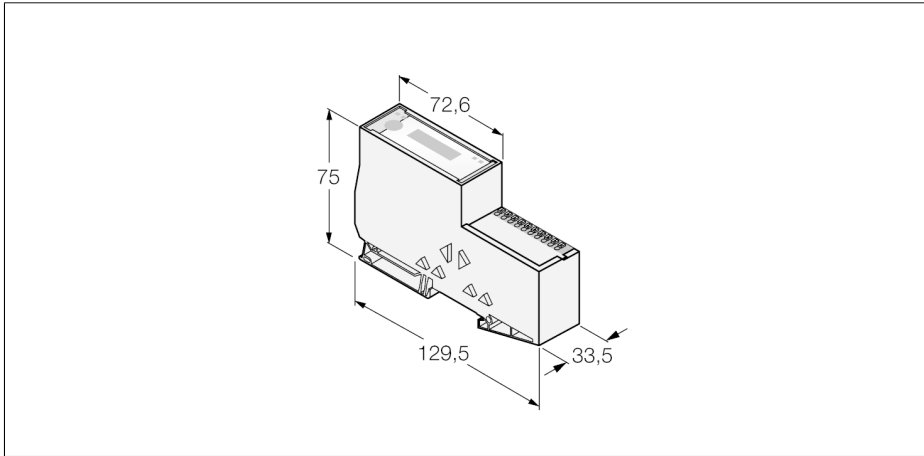


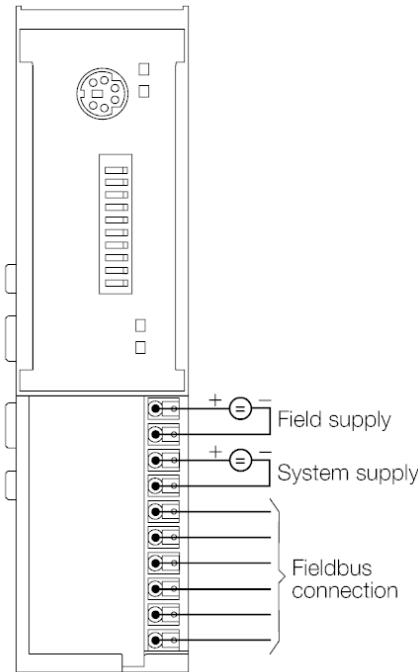
**gateway for BL20 I/O system
interface for PROFIBUS-DP
BL20-E-GW-DP**



- DIP switch for adjustment of the node address
- Protection class IP20
- 2 x end brackets BL20-WEW35/2-SW
- 1 x end plate BL20-ABPL
- with integrated supply
- LEDs for display of supply voltage, common alarm and bus errors
- interface between the BL20 system and PROFIBUS-DPV0/DPV1
- 12 Mbit/s
- push in clamps

Type	BL20-E-GW-DP
Ident-No.	6827250
Supply voltage	
System power supply	24 VDC
Field supply	24 VDC / 5 VDC
Admissible range	18...30 VDC
Rated current from module bus	≤ 430 mA
Max. field supply current	10 A
Max. system supply current	1 A
Voltage supply connection	Push-in clamps
Voltage supply connection	Push-in clamps
Fieldbus transmission rate	
Fieldbus transmission rate	9.6 kbps ... 12 Mbps
Fieldbus addressing	per DIP switch
Fieldbus addressing range	1...126
Service interface	PS/2 socket for I/O-ASSISTANT
Fieldbus connection technology	Push-in clamps
Fieldbus connection technology	Push-in clamps
Fieldbus termination	per DIP switch
Number of diagnostic bytes	
Number of diagnostic bytes	3
Number of parameter bytes	5
Dimensions (W x L x H)	
Dimensions (W x L x H)	33.5x129.5x74.4
Approvals	CE, cULus, zone2, ClassI, div.2.
Operating temperature	0...55 °C
Storage temperature	0...55 °C
Storage temperature	-25 to +85 °C
Relative humidity	5 to 95% (internal), Level RH-2, no condensation (at 45 °C storage)
Vibration test	acc. to EN 61131
Shock test	acc. to IEC 68-2-27
Drop and topple	acc. to IEC 68-2-31 and free fall to IEC 68-2-32
Electro-magnetic compatibility	acc. to EN 50,082-2
Protection class	IP20
Included in scope of supply	
Included in scope of supply	2 x end brackets BL20-WEW-35/2-SW, 1 x end plate BL20-ABPL

Field supply/system supply



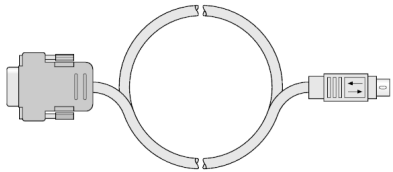
Functional principle

BL20 gateways are the head component of a BL20 station. They are designed to interface the modular fieldbus nodes to the higher level fieldbus (PROFIBUS-DP, DeviceNet, CANopen, Ethernet).

All BL20 electronic modules communicate over the internal module bus, the data of which is transferred to the fieldbus via the gateway, so that all I/O modules can be configured independently of the bus system.

**gateway for BL20 I/O system
interface for PROFIBUS-DP
BL20-E-GW-DP**

Wiring accessories

Type code	Ident-No.	Short text	Dimension drawing
I/O-ASSISTANT-KA-BEL-BL20/BL67	6827133	RS232 adapter cable for the BL67/BL20 service interface	
BS3511/KLBUE4-31.5	6827342	Shield terminal and strain relief for bus cable	