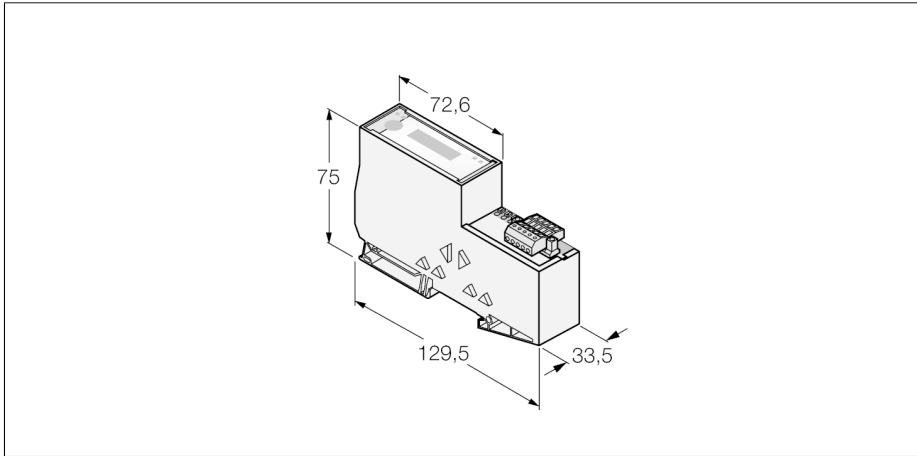


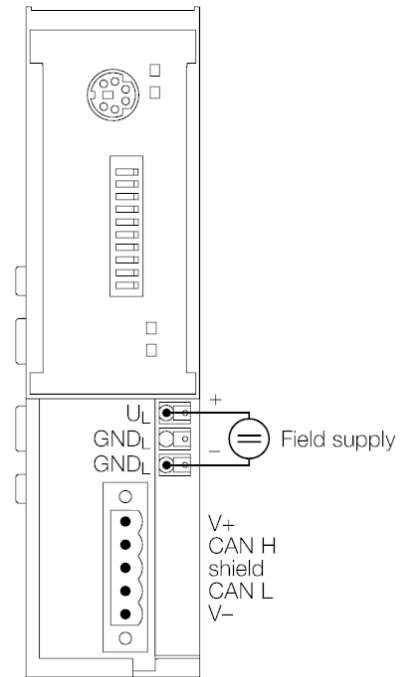
**gateway for BL20 I/O system  
interface for DeviceNet  
BL20-E-GW-DN**



- DIP switch for adjustment of the node address
- Protection class IP20
- 2 x end brackets BL20-WEW35/2-SW
- 1 x end plate BL20-ABPL
- with integrated supply
- LEDs for display of supply voltage, common alarm and bus errors
- Interface between BL20 system and DeviceNet
- 125 / 250 / 500 kbps
- The connection to DeviceNet™ is established via an open-style connector

<b>Type</b>	BL20-E-GW-DN
Ident-No.	6827301
<b>Supply voltage</b>	
System power supply	24 VDC
Field supply	24 VDC / 5 VDC
Admissible range	24 VDC
Rated current from module bus	18...30 VDC
Max. field supply current	≤ 250 mA
Max. system supply current	10 A
Voltage supply connection	0.7 A
Voltage supply connection	Push-in clamps
Voltage supply connection	Push-in clamps
<b>Fieldbus transmission rate</b>	
Fieldbus transmission rate	125...500 kbps
Fieldbus addressing	per DIP switch
Fieldbus addressing range	0...63
Service interface	PS/2 socket for I/O-ASSISTANT
Fieldbus connection technology	open connector
Fieldbus connection technology	open connector
Fieldbus termination	per DIP switch
<b>Dimensions (W x L x H)</b>	
Approvals	33.5x129.5x74.4
Operating temperature	CE, cULus, zone2, ClassI,div.2.
Storage temperature	0...55 °C
Relative humidity	0...55 °C
Vibration test	-25 to +85 °C
Shock test	5 to 95% (internal), Level RH-2, no condensation (at 45 °C storage)
Drop and topple	acc. to EN 61131
Electro-magnetic compatibility	acc. to IEC 68-2-27
Protection class	acc. to IEC 68-2-31 and free fall to IEC 68-2-32
Included in scope of supply	acc. to EN 50,082-2
	IP20
	2 x end brackets BL20-WEW-35/2-SW, 1 x end plate BL20-ABPL

**Field supply/system supply**



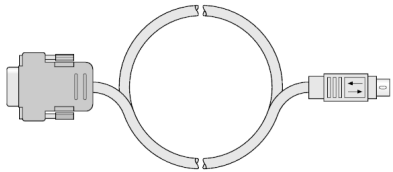
**Functional principle**

BL20 gateways are the head component of a BL20 station. They are designed to interface the modular fieldbus nodes to the higher level fieldbus (PROFIBUS-DP, DeviceNet, CANopen, Ethernet).

All BL20 electronic modules communicate over the internal module bus, the data of which is transferred to the fieldbus via the gateway, so that all I/O modules can be configured independently of the bus system.

**gateway for BL20 I/O system  
interface for DeviceNet  
BL20-E-GW-DN**

**Wiring accessories**

Type code	Ident-No.	Short text	Dimension drawing
I/O-ASSISTANT-KA-BEL-BL20/BL67	6827133	RS232 adapter cable for the BL67/BL20 service interface	
BS3511/KLBUE4-31.5	6827342	Shield terminal and strain relief for bus cable	