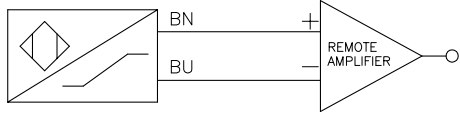


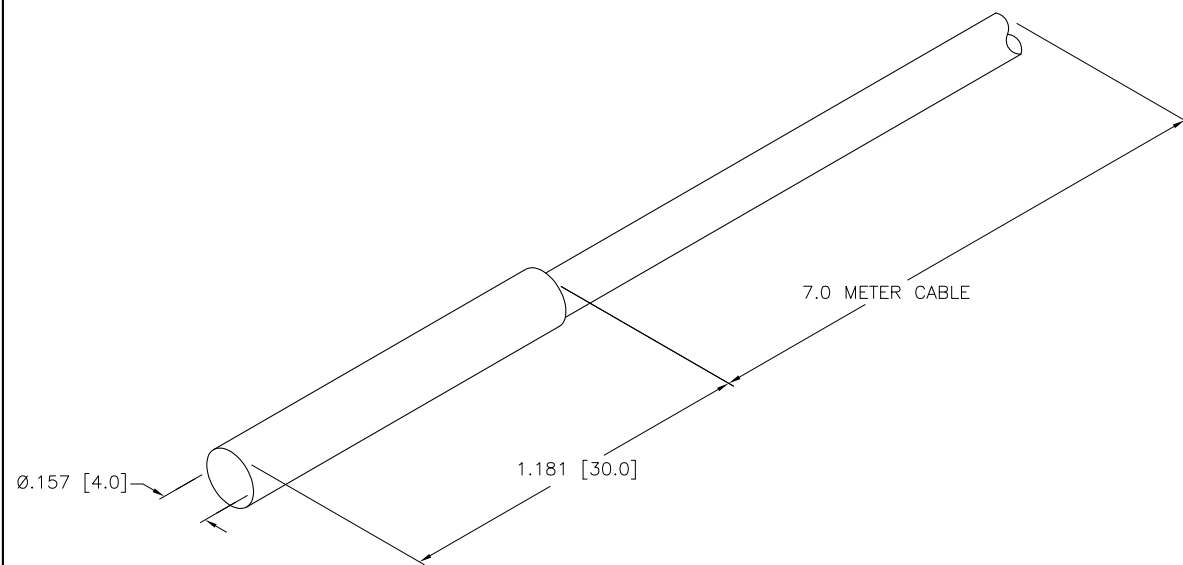
WIRING DIAGRAM



OUTPUT: Y1

SPECIFICATIONS

RATED OPERATING DISTANCE	1mm [.039"]
MOUNTING MODE	FLUSH
MIN. REPEAT ACCURACY	≤ 2%
TEMPERATURE DRIFT	≤ ± 10%
HYSTERESIS	1-10%
OPERATING TEMPERATURE	-25°C to +70°C (-13°F to +158°F)
OUTPUT FUNCTION	2-WIRE, NAMUR
SWITCHING FREQUENCY	≤ 5.0 kHz
OPERATING VOLTAGE	8.2 VDC NOMINAL
NON-ACTUATED CURRENT CONSUMPTION	≥ 2.1 mA
ACTUATED CURRENT CONSUMPTION	≤ 1.2 mA
APPROVAL ACCORDING TO:	KEMA 02 ATEX 1090X
INTERNAL INDUCTANCE (L _i)/CAPACITANCE (C _i)	150 nF/150 μH * VALUES FOR PRE-ASSEMBLED CABLES UP TO 30M
MARKING ON THE DEVICE	II 2 G EEx ia IIC T6 (max. U _i = 20 V, I _i = 60 mA, P _i = 80 mW)
HOUSING MATERIAL	METAL, AISI 316L
ACTIVE FACE MATERIAL	PLASTIC, PA12-GF20
CABLE/COLOR/MATERIAL	ø3.0/BLUE/LifYY PVC
SHOCK RESISTANCE	30 g, 11 ms
VIBRATION RESISTANCE	55 Hz, 1 mm AMPLITUDE (IN ALL 3 PLANES)
DEGREE OF PROTECTION	IP67



SOURCE DRAWING - FOR REFERENCE ONLY

RELATED DOCUMENTS		3RD ANGLE PROJECTION		THIS DRAWING IS PROPERTY OF TURCK INC. USE OF THIS DOCUMENT WITHOUT WRITTEN PERMISSION IS PROHIBITED.		 High Technology Sensors and Automation Controls 3000 CAMPUS DRIVE MINNEAPOLIS, MN 55441 1-800-544-7769 (763) 553-7300 (763) 553-0708 fax turck.com	
1.			ALL DIMENSIONS DISPLAYED ON THIS DRAWING ARE FOR REFERENCE ONLY	DRFT	RDS	DATE	06/20/08
2.				DSGN		SCALE	1=.5
3.		UNIT OF MEASUREMENT				DESCRIPTION	
4.		INCH [MILLIMETER]				BI 1-EH04-Y1 7M	
MATERIAL		SEE SPECIFICATIONS		IDENTIFICATION NO.		REV	
FINISH		CONTACT TURCK FOR MORE INFORMATION		S1003045		A	
A		DRAWING RELEASE		DO NOT SCALE THIS DRAWING		FILE: S1003045	
RDS		06/20/08		SHEET		1 OF 1	
REV		DESCRIPTION		BY		DATE	
ECO NO.							

A	DRAWING RELEASE	RDS	06/20/08	
REV	DESCRIPTION	BY	DATE	ECO NO.