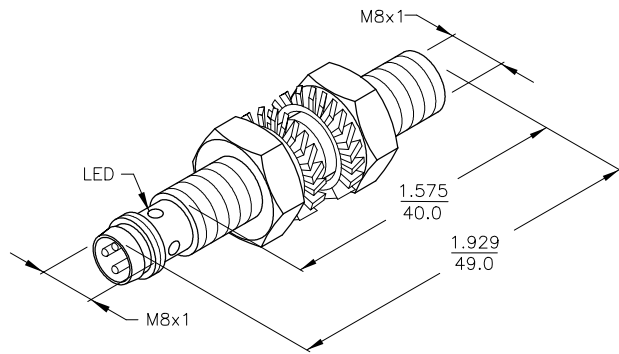


SPECIFICATIONS	
OPERATING VOLTAGE	10-30 VDC
RIPPLE	≤ 10%
DIFFERENTIAL TRAVEL (HYSTERESIS)	1-15% (5% TYPICAL)
VOLTAGE DROP ACROSS CONDUCTING SENSOR	≤ 1.8 V at 150 mA
OUTPUT FUNCTION	NORMALLY CLOSED 3-WIRE DC SELF-CONTAINED
TTL COMPATIBLE	NO
SHORT-CIRCUIT PROTECTED	YES
TRIGGER CURRENT FOR OVERLOAD PROTECTION	≥ 170 mA
CONTINUOUS LOAD CURRENT	≤ 150 mA
OFF-STATE (LEAKAGE) CURRENT	≤ 0.1 mA
NO-LOAD CURRENT	1.0-9.5 mA
TIME DELAY BEFORE AVAILABILITY	≤ 8 ms
POWER-ON EFFECT	PER IEC 947-5-2
REVERSE POLARITY PROTECTION	INCORPORATED
WIRE-BREAK PROTECTION	INCORPORATED
PROTECTION AGAINST TRANSIENTS	Per EN 60947-5-2
OPERATING TEMPERATURE	-25°C to +70°C (-13°F to +158°F)
ENCLOSURE	MEETS NEMA 1, 3, 4, 13 AND IEC IP67
SHOCK	30 g, 11 ms
VIBRATION	55 Hz, 1 mm AMPLITUDE (IN ALL 3 PLANES)
LED FUNCTION	YELLOW: OUTPUT ENERGIZED (FOUR WINDOW VISIBILITY)
RATED OPERATING DISTANCE(Sn)	1.5 mm = .059" (NOMINAL)
SWITCHING FREQUENCY	3000 Hz
REPEATABILITY	≤ 2% of RATED OPERATING DISTANCE
EMBEDDABLE (SHIELDED)	YES
MATING PLUGS/CABLES	3-PIN "PICOFAST" CONSTRUCTION



**NOTE  
PRELIMINARY  
SPECIFICATIONS**

**SOURCE DRAWING - FOR REFERENCE ONLY**

NOTES: 1. MATERIALS:  
 BARREL-STAINLESS STEEL  
 LOCKNUTS-STAINLESS STEEL  
 LOCKWASHERS-STAINLESS STEEL  
 SENSING FACE-PA12-GF30 PLASTIC

RELATED DOCUMENTS		3RD ANGLE PROJECTION		THIS DOCUMENT IS PROPERTY OF TURCK INC. USE OF THIS DOCUMENT WITHOUT WRITTEN PERMISSION IS PROHIBITED.		 High Technology Sensors and Automation Controls		3000 CAMPUS DRIVE MINNEAPOLIS, MN 55441 1-800-544-7769 (763) 553-7300 (763) 553-0708 fax turck.com		
1. 2. 3. 4.				DRFT JBJ		DATE 06/19/01		DESCRIPTION		
MATERIAL SEE NOTES		TOLERANCES UNLESS OTHERWISE SPECIFIED		DSGN		SCALE NONE		Bi 1.5-EG08-RN6X-V1131		
FINISH		0.0394in [1.00mm]		UNIT OF MEASUREMENT <b>INCH [ MILLIMETER ]</b>				IDENTIFICATION NO. S4602351		REV P1
P1		JBJ 06/19/01		DO NOT SCALE THIS DRAWING				FILE: S4602351		SHEET 1 OF 1
REV	DESCRIPTION	BY	DATE	ECO NO.						