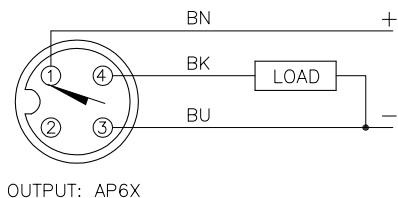
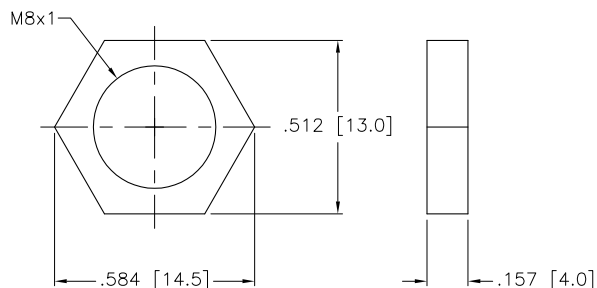


WIRING DIAGRAM

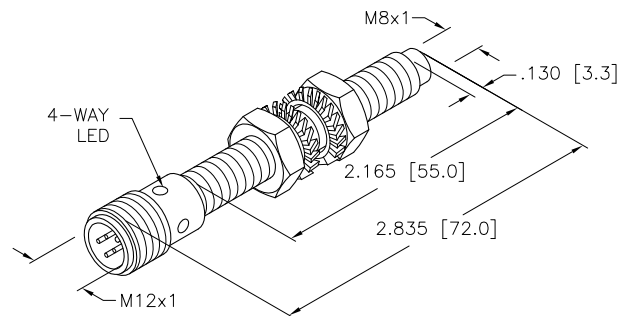


SHORT-CIRCUIT AND OVERLOAD PROTECTED

LOCKNUT LN-SS08



|   |  |
|---|--|
| OPERATING VOLTAGE                         | 10-30 VDC                                  |
| RIPPLE                                    | ≤10%                                       |
| DIFFERENTIAL TRAVEL (HYSTERESIS)          | 1-15% (5% TYPICAL)                         |
| VOLTAGE DROP ACROSS CONDUCTING SENSOR     | ≤1.8 V at 150 mA                           |
| OUTPUT FUNCTION                           | NORMALLY OPEN<br>3-WIRE DC SELF-CONTAINED  |
| TTL COMPATIBLE                            | NO   |
| SHORT-CIRCUIT PROTECTED                   | YES  |
| TRIGGER CURRENT FOR OVERLOAD PROTECTION   | ≥170 mA                                    |
| CONTINUOUS LOAD CURRENT                   | ≤150 mA                                    |
| LEAKAGE (OFF-STATE) CURRENT               | <10 μA                                     |
| NO-LOAD CURRENT                           | 5.5-9.5 mA                                 |
| TIME DELAY BEFORE AVAILABILITY            | ≤8 ms                                      |
| POWER-ON EFFECT PROTECTION                | INCORPORATED                               |
| REVERSE POLARITY PROTECTION               | INCORPORATED                               |
| WIRE-BREAK PROTECTION                     | INCORPORATED                               |
| PROTECTION AGAINST TRANSIENTS             | 1 kV, 0.1 ms, 1kΩ                          |
| OPERATING TEMPERATURE                     | -25°C to +70°C (-13°F to +158°F)           |
| ENCLOSURE                                 | MEETS NEMA 1, 3, 4, 6, 13 AND IEC IP67     |
| SHOCK                                     | 30 g, 11 ms                                |
| VIBRATION                                 | 55 Hz, 1 mm AMPLITUDE<br>(IN ALL 3 PLANES) |
| LED FUNCTION                              | YELLOW: OUTPUT ENERGIZED                   |
| RATED OPERATING DISTANCE(S <sub>n</sub> ) | 2 mm = .079" (NOMINAL)                     |
| SWITCHING FREQUENCY                       | 3000 Hz                                    |
| REPEATABILITY                             | ≤2% OF RATED OPERATING DISTANCE            |
| SHIELDED                                  | NO   |
| MATING PLUGS/CABLES                       | 4-PIN "EUROFAST" CONSTRUCTION              |



SOURCE DRAWING - FOR REFERENCE ONLY

|   |   |   |   |   |          |
|---|---|---|---|---|----------|
| RELATED DOCUMENTS<br>1.<br>2.<br>3.<br>4. | 3RD ANGLE PROJECTION<br>                | THIS DRAWING IS PROPERTY OF TURCK INC. USE OF THIS DOCUMENT WITHOUT WRITTEN PERMISSION IS PROHIBITED. |   | 3000 CAMPUS DRIVE<br>MINNEAPOLIS, MN 55441<br>1-800-544-7769<br>(763) 553-7300<br>(763) 553-0708 fax<br>turck.com |          |
|   | MATERIAL<br>STAINLESS STEEL BARREL      | ALL DIMENSIONS DISPLAYED ON THIS DRAWING ARE FOR REFERENCE ONLY                                       | DRFT SMW<br>DATE 09/30/87                         | DESCRIPTION<br>Ni 2-G08-AP6X-H1341  |          |
|   | FINISH<br>CHROME PLATED BRASS CONNECTOR |   | DSGN<br>SCALE 1=2.0                               | IDENTIFICATION NO.<br>S4603200  |          |
|   | CONTACT TURCK FOR MORE INFORMATION      |   | UNIT OF MEASUREMENT<br><b>INCH [ MILLIMETER ]</b> |   | REV<br>C |

|     |                                   |    |          |         |
|-----|-----------------------------------|----|----------|---------|
| C   | UPDATE PART, MATERIAL, NEW FORMAT | IK | 08/16/00 | T3880   |
| REV | DESCRIPTION                       | BY | DATE     | ECO NO. |

DO NOT SCALE THIS DRAWING

FILE: S4603200

SHEET 1 OF 1