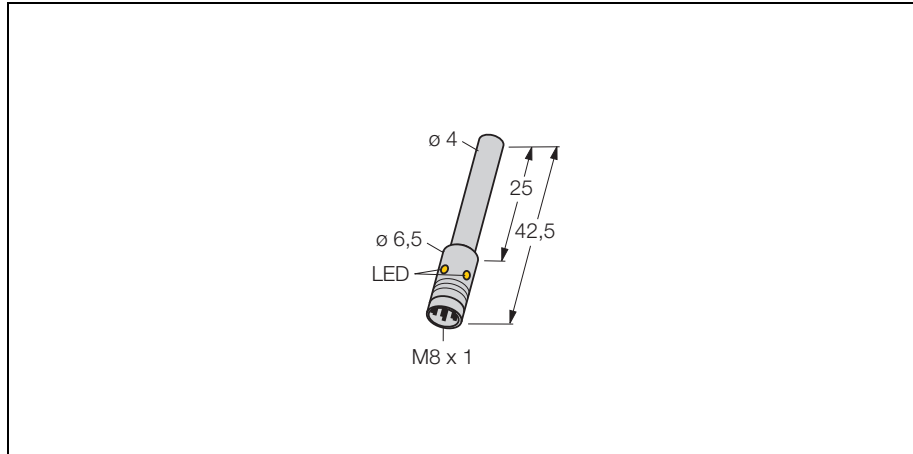
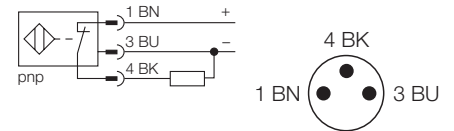


Inductive sensor
Bi1-EH04-RP6X-V1331



- smooth barrel, 4 mm diameter
- stainless steel 1.4301
- 3-wire DC, 10...30 VDC
- normally closed, pnp output
- connector, M8 x 1

Wiring diagram



Type	Bi1-EH04-RP6X-V1331
Ident-No.	4608441
Rated operating distance Sn	1 mm
Mounting condition	flush
Assured sensing range	≤ (0,81 x Sn) mm
Correction factors	St37 = 1, V2A ~ 0.7, Ms ~ 0.4, Al ~ 0.3
Repeatability	≤ 2 %
Temperature drift	≤ ± 10 %
Hysteresis	3... 15 %
Ambient temperature	-25... + 70 °C
Operating voltage	10... 30VDC
Residual ripple	≤ 10 % U _{ss}
DC rated operational current	≤ 100 mA
No-load current I ₀	≤ 15 mA
Residual current	≤ 0.1 mA
Rated insulation voltage	≤ 0.5 kV
Short-circuit protection	yes / cyclic
Voltage drop at I _e	≤ 1.8V
Wire breakage / Reverse polarity protection	yes / complete
Output function	3-wire, normally closed, pnp
Switching frequency	≤ 3 kHz
Housing	smooth barrel, 4 mm
Dimensions	42.5 mm
Housing material	metal, AISI 316L
Material active face	plastic, plastic, PA12-GF20
Connection	connectors, M8 x 1
Vibration resistance	55 Hz (1 mm)
Shock resistance	30g (11 ms)
Degree of protection	IP67
Display switch state	LED yellow

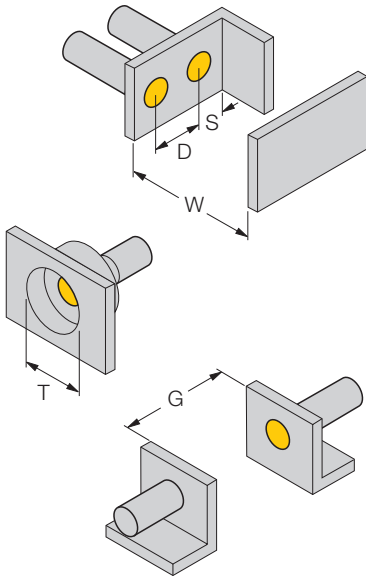
Functional principle

Inductive sensors are designed for wear-free and non-contact detection of metal objects. For this purpose they use a high-frequency electro-magnetic AC field that interacts with the target. Concerning inductive sensors, this field is generated by an LC resonant circuit with a ferrite core coil.

Inductive sensor
Bi1-EH04-RP6X-V1331

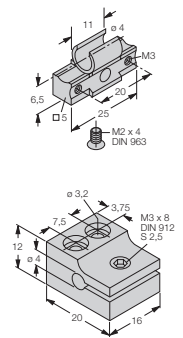
Mounting instructions	minimum distances
Distance D	2 x B
Distance W	3 x Sn
Distance T	3 x B
Distance S	1,5 x B
Distance G	6 x Sn

Diameter of the active area B	Ø 4 mm
--------------------------------------	--------



**Inductive sensor
Bi1-EH04-RP6X-V1331**

Accessories

Type code	Ident-No.	Short text	Dimension drawing
BS540	69475	fixing clamp; material mounting block: anodized aluminium; clamp sleeve: steel	
MBS40	69477	fixing clamp; material mounting block: anodized aluminium	