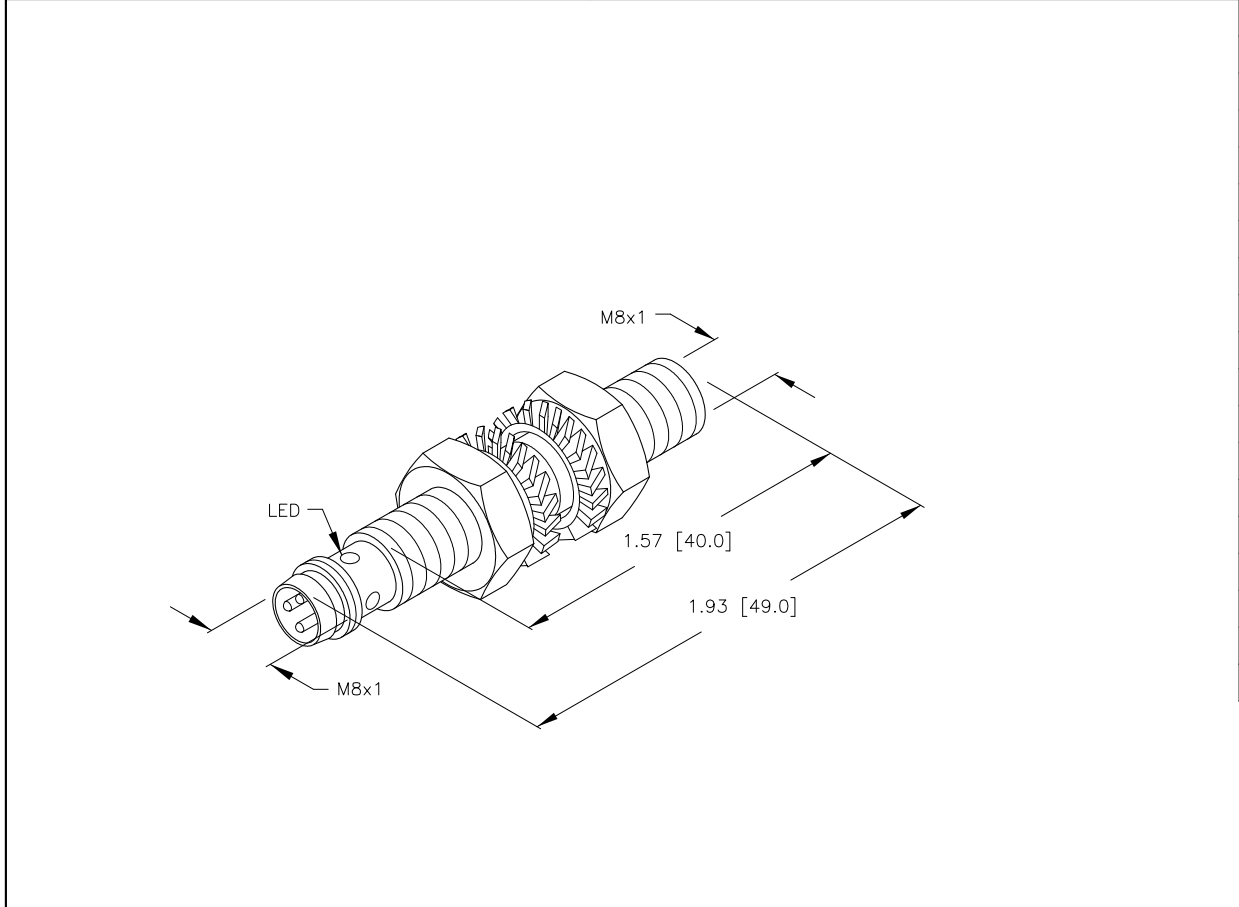


SPECIFICATIONS	
OPERATING VOLTAGE	10-30 VDC
RIPPLE	≤ 10%
DIFFERENTIAL TRAVEL (HYSTERESIS)	5% TYPICAL
VOLTAGE DROP ACROSS CONDUCTING SENSOR	≤ 1.8 V at 200 mA
OUTPUT FUNCTION	NORMALLY OPEN 3-WIRE DC SELF-CONTAINED
SHORT-CIRCUIT PROTECTED	YES
TRIGGER CURRENT FOR OVERLOAD PROTECTION	≥ 220 mA
CONTINUOUS LOAD CURRENT	≤ 200 mA
OFF-STATE (LEAKAGE) CURRENT	≤ 1.0 mA
NO LOAD CURRENT	≤ 10.0 mA
MAXIMUM APPROACH VELOCITY	≤ 1 ms
TIME DELAY BEFORE AVAILABILITY	≤ 5 ms
REVERSE POLARITY PROTECTION	INCORPORATED
WIRE-BREAK PROTECTION	INCORPORATED
POWER-ON EFFECT PROTECTION	Per IEC 947-5-2
PROTECTION AGAINST TRANSIENTS	Per EN 60947-5-2
OPERATING TEMPERATURE	-25°C to +70°C (-13°F to +158°F)
ENCLOSURE	MEETS NEMA 1,3,4,6,13 AND IEC IP 67
SHOCK	30 g, 11 ms
VIBRATION	55 Hz, 1 mm AMPLITUDE (IN ALL 3 PLANES)
LED FUNCTION	YELLOW: OUTPUT ENERGIZED
RATED OPERATING DISTANCE(S _n)	MAGNET DEPENDANT (55 mm to TURCK M2 MAGNET)
SWITCHING FREQUENCY	1000 Hz
TEMPERATURE DRIFT	≤ 0.1mm
MAGNETIC ACTUATION STRENGTH	7.5 GAUSS TYP.
REPEATABILITY	≤ 0.1mm (CONSTANT TEMP. & VOLTAGE)
EMBEDDABLE (SHIELDED)	YES



NOTE(S):

1. MATERIALS:
 STAINLESS STEEL BARREL
 STAINLESS STEEL LOCKNUTS
 STAINLESS STEEL LOCKWASHERS
 PA-66 PLASTIC SENSING FACE

RELATED DOCUMENTS		3RD ANGLE PROJECTION		THIS DRAWING IS PROPERTY OF TURCK INC. USE OF THIS DOCUMENT WITHOUT WRITTEN PERMISSION IS PROHIBITED.		TURCK INC High Technology Sensors and Automation Controls 3000 CAMPUS DRIVE MINNEAPOLIS, MN 55441 1-800-544-7769 (763) 553-7300 (763) 553-0708 fax turck.com	
1. 2. 3. 4.				DRFT RDS		DATE 04/01/04	
MATERIAL		SEE NOTE 1		DSGN		SCALE 1=1.0	
FINISH		ALL DIMENSIONS DISPLAYED ON THIS DRAWING ARE FOR REFERENCE ONLY		UNIT OF MEASUREMENT		DESCRIPTION	
		CONTACT TURCK FOR MORE INFORMATION		INCH [MILLIMETER]		BIM-EG08-AP6X-V1131	
A		DRAWING RELEASE		RDS		04/01/04	
REV		DESCRIPTION		BY		DATE	
						ECO NO.	
				DO NOT SCALE THIS DRAWING		IDENTIFICATION NO. S4621314	
						REV A	
						FILE: S4621314	
						SHEET 1 OF 1	