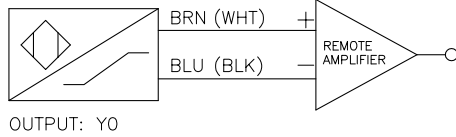
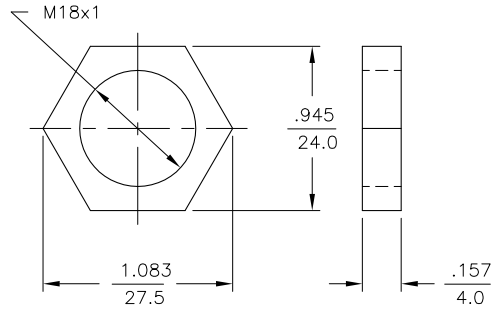


WIRING DIAGRAM

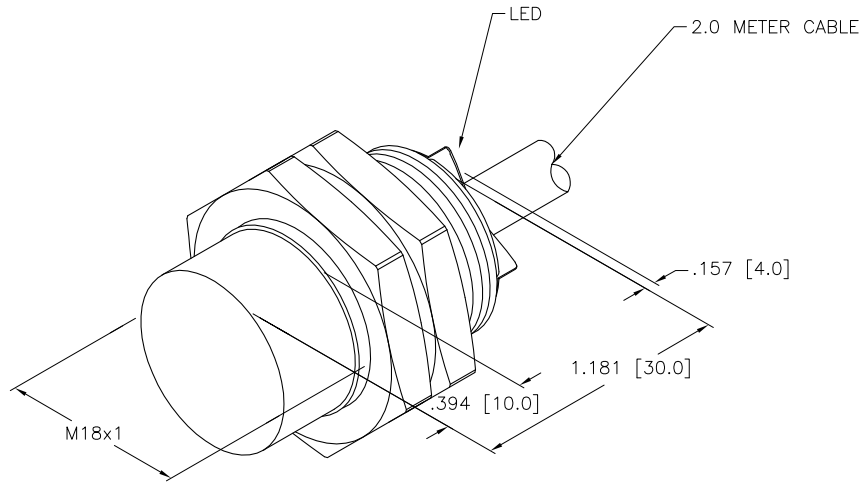


LOCKNUT LN-M18



SPECIFICATIONS

RATED OPERATING DISTANCE	10mm [.397"]
MOUNTING MODE	NON-FLUSH
HYSTERESIS	1-10%
MIN. REPEAT ACCURACY	≤ 2%
TEMPERATURE DRIFT	≤ ± 10%
OPERATING TEMPERATURE	-25°C to +70°C (-13°F to +158°F)
OUTPUT FUNCTION	2-WIRE, NAMUR
MAX. SWITCHING FREQUENCY	≤ 0.5 kHz
RATED OPERATIONAL VOLTAGE	8.2 VDC NOMINAL
NON-ACTUATED CURRENT CONSUMPTION	≥ 2.1 mA
ACTUATED CURRENT CONSUMPTION	≤ 1.2 mA
APPROVALS	KEMA 02 ATEX 1090X
INTERNAL INDUCTANCE (Li)/CAPACITANCE (Ci)	150 nF/150 μH Values for pre-assembled cables up to 30M
MARKING OF DEVICE	Ⓔ II 2 G EEx ia IIC T6 (max. U _i = 20 V, I _i = 20 mA, P _i = 200 mW)
HOUSING MATERIAL	METAL, BRASS/CHROME-PLATED
ACTIVE FACE MATERIAL	PLASTIC, PA12-GF30
END CAP MATERIAL	PLASTIC, TROGAMID T
CABLE	ø5.2, Lifyy, PVC
VIBRATION RESISTANCE	55 Hz (IN ALL 3 PLANES)
SHOCK RESISTANCE	30 g, 11 ms
DEGREE OF PROTECTION	IP 67
SWITCHING STATUS INDICATION	LED: YELLOW



RELATED DOCUMENTS		3RD ANGLE PROJECTION		THIS DRAWING IS PROPERTY OF TURCK INC. USE OF THIS DOCUMENT WITHOUT WRITTEN PERMISSION IS PROHIBITED.		 High Technology Sensors and Automation Controls 3000 CAMPUS DRIVE MINNEAPOLIS, MN 55441 1-800-544-7769 (763) 553-7300 (763) 553-0708 fax turck.com	
1.			ALL DIMENSIONS DISPLAYED ON THIS DRAWING ARE FOR REFERENCE ONLY	DRFT	SMW	DATE	3/19/87
2.				DSGN		SCALE	1=.7
3.		MATERIAL		SEE SPECIFICATIONS		DESCRIPTION	
4.		FINISH				IDENTIFICATION NO. N110-G18-Y0 REV C	
C		UPDATE TO NEW TITLE BLOCK	RDS	11/20/02	5504	UNIT OF MEASUREMENT INCH [MILLIMETER]	
REV	DESCRIPTION	BY	DATE	ECO NO.		CONTACT TURCK FOR MORE INFORMATION DO NOT SCALE THIS DRAWING	FILE: T1006100 SHEET 1 OF 1