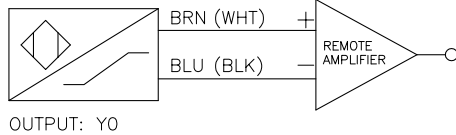
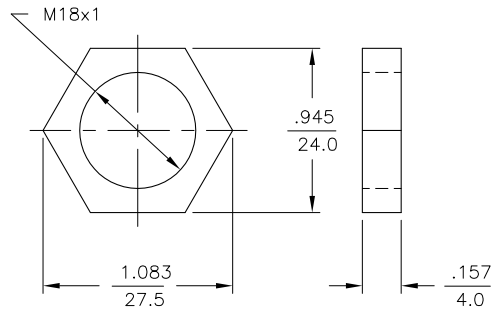


WIRING DIAGRAM

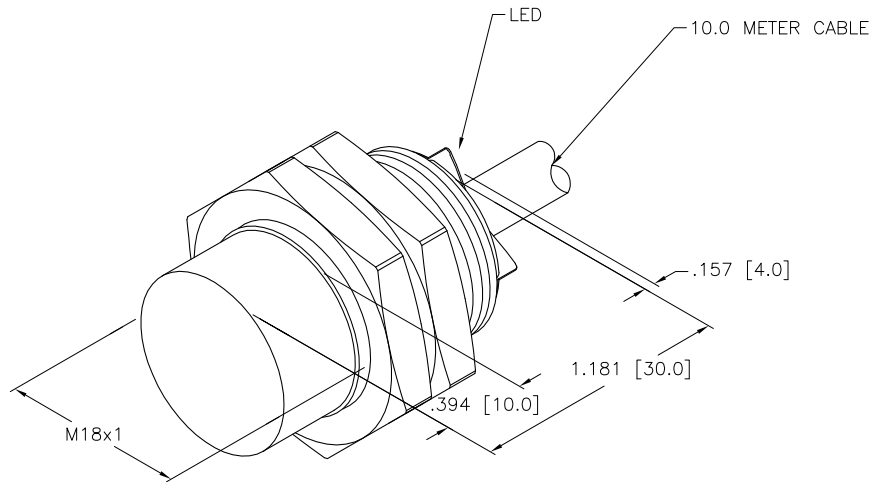


LOCKNUT LN-M18



SPECIFICATIONS

RATED OPERATING DISTANCE	10mm [.397"]
MOUNTING MODE	NON-FLUSH
HYSTERESIS	1-10%
MIN. REPEAT ACCURACY	≤ 2%
TEMPERATURE DRIFT	≤ ± 10%
OPERATING TEMPERATURE	-25°C to +70°C (-13°F to +158°F)
OUTPUT FUNCTION	2-WIRE, NAMUR
MAX. SWITCHING FREQUENCY	≤ 0.5 kHz
RATED OPERATIONAL VOLTAGE	8.2 VDC NOMINAL
NON-ACTUATED CURRENT CONSUMPTION	≥ 2.1 mA
ACTUATED CURRENT CONSUMPTION	≤ 1.2 mA
APPROVALS	KEMA 02 ATEX 1090X
INTERNAL INDUCTANCE (Li)/CAPACITANCE (Ci)	150 nF/150 μH Values for pre-assembled cables up to 30M
MARKING OF DEVICE	⊕ II 2 G EEx ia IIC T6 (max. U <sub>i</sub> = 20 V, I <sub>i</sub> = 20 mA, P <sub>i</sub> = 200 mW)
HOUSING MATERIAL	METAL, BRASS/CHROME-PLATED
ACTIVE FACE MATERIAL	PLASTIC, PA12-GF30
END CAP MATERIAL	PLASTIC, TROGAMID T
CABLE	ø5.2, LifYY, PVC
VIBRATION RESISTANCE	55 Hz (IN ALL 3 PLANES)
SHOCK RESISTANCE	30 g, 11 ms
DEGREE OF PROTECTION	IP 67
SWITCHING STATUS INDICATION	LED: YELLOW



SOURCE DRAWING - FOR REFERENCE ONLY

RELATED DOCUMENTS		3RD ANGLE PROJECTION		THIS DRAWING IS PROPERTY OF TURCK INC. USE OF THIS DOCUMENT WITHOUT WRITTEN PERMISSION IS PROHIBITED.		 3000 CAMPUS DRIVE MINNEAPOLIS, MN 55441 1-800-544-7769 (763) 553-7300 (763) 553-0708 fax turck.com	
1. 2. 3. 4.				DRFT RDS	DATE 01/22/08	DESCRIPTION	
MATERIAL SEE SPECIFICATIONS		ALL DIMENSIONS DISPLAYED ON THIS DRAWING ARE FOR REFERENCE ONLY		DSGN AF	SCALE 1=.7	N110-G18-Y0 10M	
FINISH		CONTACT TURCK FOR MORE INFORMATION		UNIT OF MEASUREMENT <b>INCH [ MILLIMETER ]</b>		IDENTIFICATION NO.	REV
A DRAWING RELEASE		RDS	01/22/08	DO NOT SCALE THIS DRAWING		T1006198	A
REV	DESCRIPTION	BY	DATE	ECO NO.	FILE: T1006198	SHEET 1 OF 1	