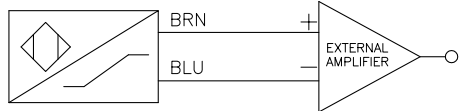
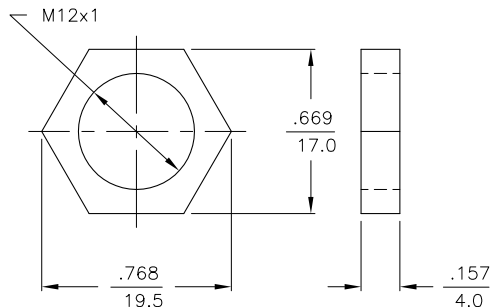


WIRING DIAGRAM



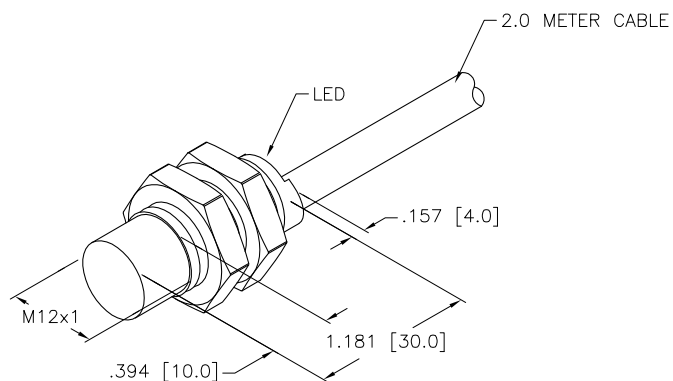
OUTPUT: Y0

LOCKNUT LN-M12



SPECIFICATIONS

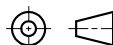
OPERATING VOLTAGE	5-30 VDC
NOMINAL VOLTAGE	8.2 VDC
HYSTERESIS	1-10%
OUTPUT FUNCTION	RESISTANCE CHANGE, REQUIRES REMOTE AMPLIFIER
RESISTANCE CHANGE FROM NONACTIVATED TO ACTIVATED CONDITION	1.0 kΩ to >8.0 kΩ
RESULTING CURRENT CHANGE	≥ 2.2 mA to ≤ 1.0 mA
RECOMMENDED SWITCHING POINT FOR REMOTE AMPLIFIER	1.55 mA
TIME DELAY BEFORE AVAILABILITY	≤ 1 ms
POWER-ON EFFECT PROTECTION	REALIZED IN AMPLIFIER
POLARITY INVERSION PROTECTION	INCORPORATED
WIRE BREAK PROTECTION	REALIZED IN AMPLIFIER
PROTECTION AGAINST TRANSIENTS	REALIZED IN AMPLIFIER
OPERATING TEMPERATURE	-25°C to +70°C (-13°F to +158°F)
ENCLOSURE	MEETS NEMA 1, 3, 4, 6, 13 AND IEC IP67
SHOCK	30 g, 11 ms
VIBRATION	55 Hz, 1 mm AMPLITUDE (IN ALL 3 PLANES)
LED FUNCTION	RED: OUTPUT ENERGIZED
SENSING RANGE	5 mm = .197"
SWITCHING FREQUENCY	2000 Hz
REPEATABILITY	≤ 2% of NOMINAL SENSING RANGE
SHIELDED	NO



RELATED DOCUMENTS

- 1.
- 2.
- 3.
- 4.

3RD ANGLE PROJECTION



THIS DRAWING IS PROPERTY OF TURCK INC. USE OF THIS DOCUMENT WITHOUT WRITTEN PERMISSION IS PROHIBITED.

TURCK INC
High Technology Sensors and Automation Controls

3000 CAMPUS DRIVE
MINNEAPOLIS, MN 55441
1-800-544-7769
(763) 553-7300
(763) 553-0708 fax
turck.com

MATERIAL
BRASS BARREL

FINISH
COPPER/NICKEL/
CHROME PLATING

ALL DIMENSIONS DISPLAYED ON THIS DRAWING ARE FOR REFERENCE ONLY

CONTACT TURCK FOR MORE INFORMATION

DRFT RJP DATE 3/5/93
DSGN SCALE 1=1.0

UNIT OF MEASUREMENT
INCH [MILLIMETER]

DO NOT SCALE THIS DRAWING

DESCRIPTION
Ni5-G12-Y0X

IDENTIFICATION NO.
T4010100

REV
D

D	UPDATE SPECS, SEE REDLINE	RDS	06/16/11	35386
REV	DESCRIPTION	BY	DATE	ECO NO.

FILE: T4010100

SHEET 1 OF 1