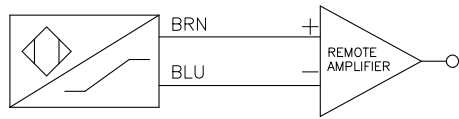
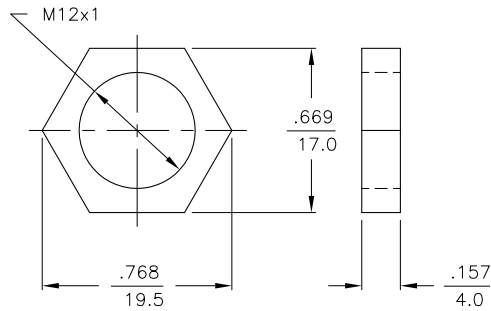


WIRING DIAGRAM



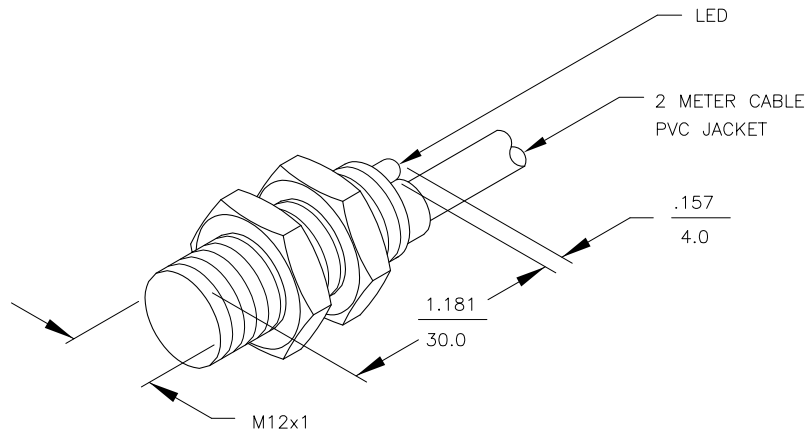
OUTPUT: Y0

LOCKNUT LN-SS12



SPECIFICATIONS

| | |
|------------------------------------------------------------|----------------------------------------------|
| OPERATING VOLTAGE | 5-15 VDC |
| NOMINAL VOLTAGE FOR INTRINSICALLY-SAFE SENSORS | 8.2 VDC |
| OUTPUT FUNCTION | RESISTANCE CHANGE, REQUIRES REMOTE AMPLIFIER |
| RESISTANCE CHANGE FROM NONACTIVATED TO ACTIVATED CONDITION | 1.0 kΩ to >8.0 kΩ |
| RESULTING CURRENT CHANGE | ≥ 2.2 mA to ≤ 1.0 mA |
| RECOMMENDED SWITCHING POINT FOR REMOTE AMPLIFIER | 1.55 mA |
| TIME DELAY BEFORE AVAILABILITY | ≤ 1 ms |
| POWER-ON EFFECT PROTECTION | REALIZED IN AMPLIFIER |
| POLARITY INVERSION PROTECTION | INCORPORATED |
| WIRE BREAK PROTECTION | REALIZED IN AMPLIFIER |
| PROTECTION AGAINST TRANSIENTS | REALIZED IN AMPLIFIER |
| OPERATING TEMPERATURE | -25°C to +70°C (-13°F to +158°F) |
| ENCLOSURE | MEETS NEMA 1, 3, 4, 6, 13 AND IEC IP67 |
| SHOCK | 30 g, 11 ms |
| VIBRATION | 55 Hz, 1 mm AMPLITUDE (IN ALL 3 PLANES) |
| LED FUNCTION | RED: OUTPUT ENERGIZED |
| SENSING RANGE | 2 mm = .079" (NOMINAL) |
| SWITCHING FREQUENCY | 5000 Hz |
| REPEATABILITY | ≤ 2% of NOMINAL SENSING RANGE |
| SHIELDED | YES |



| | | | | | | | | | |
|-------------------|--|----------------------|-----------------------------------------------------------------|-------------------------------------------------------------------------------------------------------|-----|------------------------------------------------------------------------------------------------------------------------------------------------------------------------------------------|--------------------|----------------|--------------|
| RELATED DOCUMENTS | | 3RD ANGLE PROJECTION | | THIS DRAWING IS PROPERTY OF TURCK INC. USE OF THIS DOCUMENT WITHOUT WRITTEN PERMISSION IS PROHIBITED. | | TURCK INC High Technology Sensors and Automation Controls 3000 CAMPUS DRIVE MINNEAPOLIS, MN 55441 1-800-544-7769 (763) 553-7300 (763) 553-0708 fax turck.com | | | |
| 1. | | | ALL DIMENSIONS DISPLAYED ON THIS DRAWING ARE FOR REFERENCE ONLY | DRFT | RJP | DATE | 4/8/93 | | |
| 2. | | | | DSGN | | SCALE | NONE | DESCRIPTION | Bi2-EG12-Y0X |
| 3. | | | | UNIT OF MEASUREMENT | | | IDENTIFICATION NO. | REV | |
| 4. | | | | INCH [MILLIMETER] | | | T4012000 | C | |
| MATERIAL | | STAINLESS STEEL | | CONTACT TURCK FOR MORE INFORMATION | | DO NOT SCALE THIS DRAWING | | FILE: T4012000 | SHEET 1 OF 1 |
| FINISH | | | | | | | | | |

| | | | | |
|-----|--------------------------------|-----|----------|---------|
| C | UPDATE WIRING DIAGRAM, SEE ECO | RDS | 04/08/10 | 30671 |
| REV | DESCRIPTION | BY | DATE | ECO NO. |