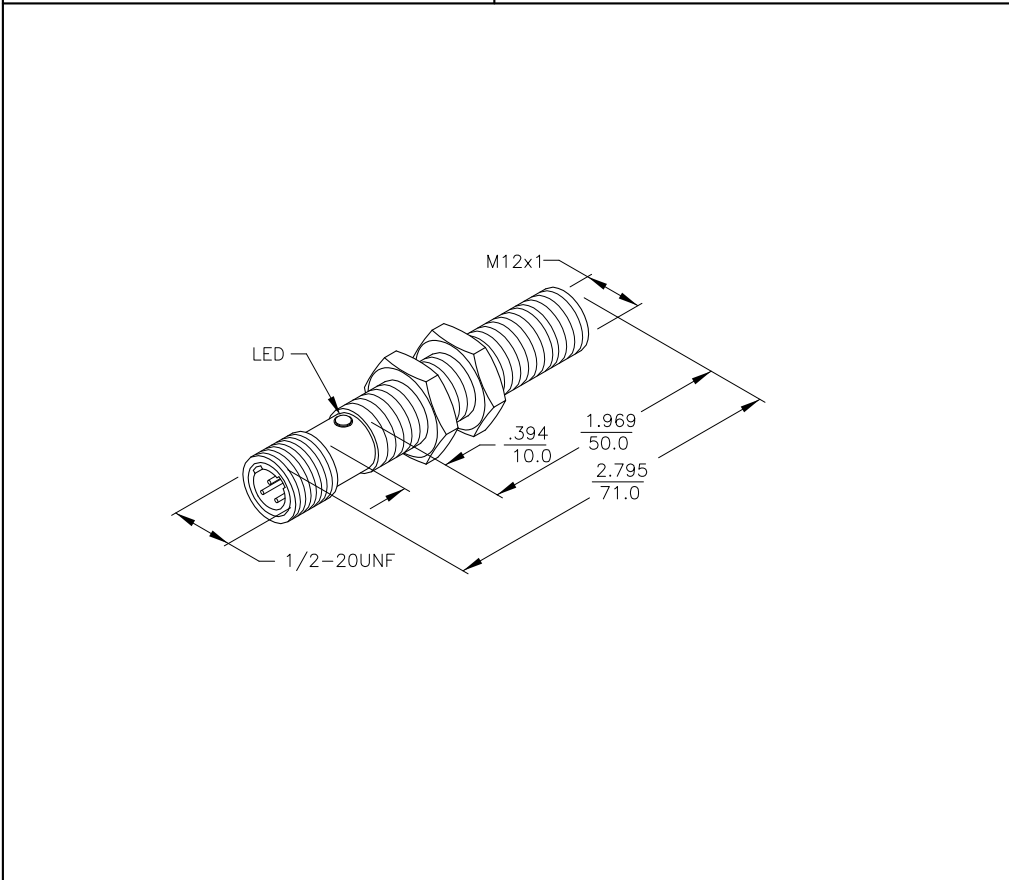


SPECIFICATIONS	
OPERATING VOLTAGE	20-250 VAC/10-300 VDC
LINE FREQUENCY	40-60 Hz
DIFFERENTIAL TRAVEL (HYSTERESIS)	3-15% (5% TYPICAL)
VOLTAGE DROP ACROSS CONDUCTING SENSOR	≤6.0 V AT 100 mA
OUTPUT FUNCTION	NORMALLY OPEN 2-WIRE AC SELF CONTAINED
SHORT-CIRCUIT PROTECTED	YES
CONTINUOUS LOAD CURRENT	≤100 mA
OVERLOAD TRIP CURRENT	>220 mA
OFF-STATE (LEAKAGE) CURRENT	≤1.7 mA
MINIMUM LOAD CURRENT	≥3.0 mA
INRUSH CURRENT	≤1.0 A (≤30 ms/5 Hz)
TIME DELAY BEFORE AVAILABILITY	≤60 ms
POWER-ON EFFECT PROTECTION	INCORPORATED
PROTECTION AGAINST TRANSIENTS	PER EN 60947-5-2
OPERATING TEMPERATURE	-25°C to +70°C (-13°F to +158°F)
ENCLOSURE	MEETS NEMA 1,3,4,6,13 AND IEC IP67
SHOCK	30 g, 11 ms
VIBRATION	55 Hz, 1 mm AMPLITUDE (ALL 3 PLANES)
LED FUNCTION	RED = OUTPUT ENERGIZED
RATED OPERATING DISTANCE(Sn)	2 mm (.079") NOMINAL
SWITCHING FREQUENCY	60 Hz
REPEATABILITY	≤2% OF RATED OPERATING DISTANCE
EMBEDDABLE (SHIELDED)	YES
MATING PLUGS/CABLES	3-PIN <i>MICROFAST</i> ™ CONSTRUCTION



SOURCE DRAWING - FOR REFERENCE ONLY

- NOTES:
1. "/S34" DESIGNATES WELD FIELD IMMUNITY. SENSOR IS SUITABLE FOR USE ON RESISTANCE WELDING MACHINES.
  2. MATERIALS:  
TEFLON- COATED BRASS BARREL  
TEFLON- COATED BRASS CONNECTOR  
TEFLON- COATED BRASS LOCKNUTS  
TEFLON- COATED LOCKWASHERS
  3. ALL DIMENSIONAL TOLERANCES: ±1.0 mm.

RELATED DOCUMENTS		3RD ANGLE PROJECTION		THIS DRAWING IS PROPERTY OF TURCK INC. USE OF THIS DOCUMENT WITHOUT WRITTEN PERMISSION IS PROHIBITED.		<b>TURCK INC</b> <i>High Technology Sensors and Automation Controls</i> 3000 CAMPUS DRIVE MINNEAPOLIS, MN 55441 1-800-544-7769 (763) 553-7300 (763) 553-0708 fax turck.com		
1.			ALL DIMENSIONS DISPLAYED ON THIS DRAWING ARE FOR REFERENCE ONLY	DRFT	RDS	DATE	08/19/02	
2.				DSGN		SCALE	NONE	DESCRIPTION
3.				UNIT OF MEASUREMENT			IDENTIFICATION NO.	REV
4.				<b>INCH [ MILLIMETER ]</b>			T4205093	A
MATERIAL		SEE NOTES		DO NOT SCALE THIS DRAWING			FILE: T4205093	SHEET 1 OF 1
FINISH		SEE NOTES		CONTACT TURCK FOR MORE INFORMATION				

A	DRAWING RELEASE	RDS	08/19/02	
REV	DESCRIPTION	BY	DATE	ECO NO.