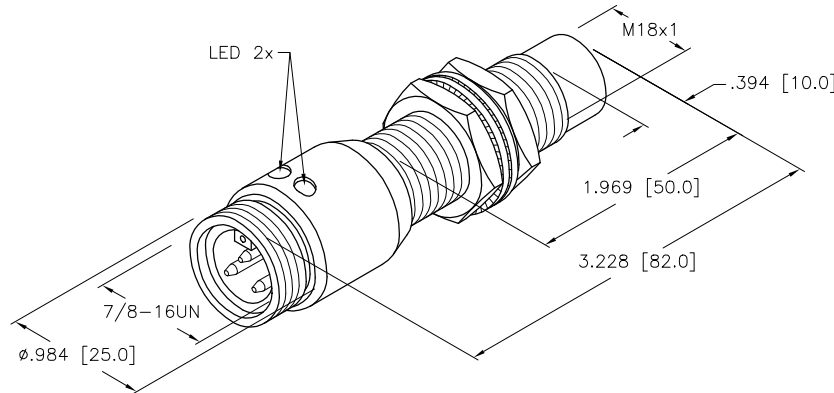


SHORT-CIRCUIT AND OVERLOAD PROTECTED



**NOTE  
PRELIMINARY  
SPECIFICATIONS**

**SOURCE DRAWING - FOR REFERENCE ONLY**

NOTE: ALL DIMENSIONAL TOLERANCES: ±1.0mm.

P4	UPDATE SPECIFICATIONS	CBM	08/01/01	
REV	DESCRIPTION	BY	DATE	ECO NO.

RELATED DOCUMENTS 1. 2. 3. 4.	3RD ANGLE PROJECTION 	THIS DOCUMENT IS PROPERTY OF TURCK INC. USE OF THIS DOCUMENT WITHOUT WRITTEN PERMISSION IS PROHIBITED.		3000 CAMPUS DRIVE MINNEAPOLIS, MN 55441 1-800-544-7769 (763) 553-7300 (763) 553-0708 fax turck.com
MATERIAL BRASS BARREL	TOLERANCES UNLESS OTHERWISE SPECIFIED .X ±0.02 .XX ±0.01 .XXX ±0.005 ANGLES ±1°	DRFT IK DATE 08/22/00	DSGN SCALE NONE	DESCRIPTION Ni14-G18-ADZ30X2-B1331
FINISH COPPER, NICKEL, CHROME PLATING	ALL MILLIMETER DIMENSIONS ARE REFERENCE ONLY	UNIT OF MEASUREMENT <b>INCH [ MILLIMETER ]</b>		IDENTIFICATION NO. T4205407
		DO NOT SCALE THIS DRAWING		REV P4
				FILE: T4205407 SHEET 1 OF 1