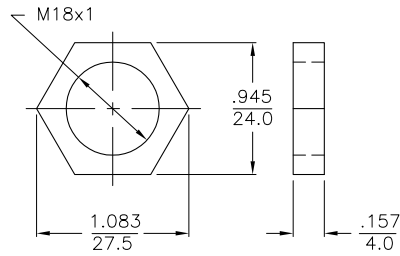
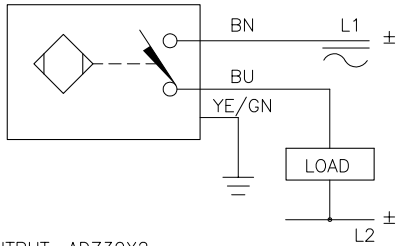


WIRING DIAGRAM

LOCKNUT LN-M18

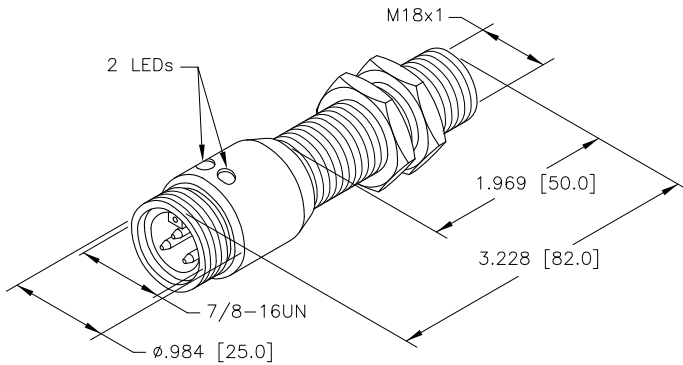
SPECIFICATIONS



OUTPUT: ADZ30X2

SHORT-CIRCUIT AND OVERLOAD PROTECTED

OPERATING VOLTAGE	20-250 VAC/10-300 VDC
LINE FREQUENCY	40-60 Hz
HYSTERESIS (DIFFERENTIAL TRAVEL)	3-15% (5% TYPICAL)
VOLTAGE DROP ACROSS CONDUCTING SENSOR	≤ 6.0 V at 400 mA
OUTPUT FUNCTION	NORMALLY OPEN 2-WIRE AC/DC SELF-CONTAINED
SHORT-CIRCUIT PROTECTED	YES
TRIGGER CURRENT FOR OVERLOAD PROTECTION	≥ 440 mA (AC), ≥ 330 mA (DC)
CONTINUOUS LOAD CURRENT	≤ 400 mA (AC), ≤ 300 mA (DC)
LEAKAGE (OFF-STATE) CURRENT	≤ 1.7 mA
MINIMUM LOAD CURRENT	≥ 3.0 mA
INRUSH CURRENT	≤ 3.0 A
TIME DELAY BEFORE AVAILABILITY	≤ 60 ms
POWER-ON EFFECT PROTECTION	PER IEC 947-5-2
PROTECTION AGAINST TRANSIENTS	PER EN 60947-5-2
OPERATING TEMPERATURE	-25°C to +70°C (-13°F to +158°F)
ENCLOSURE	MEETS NEMA 1, 3, 4, 6, 13 AND IEC IP67
SHOCK	30 g, 11 ms
VIBRATION	55 Hz, 1 mm AMPLITUDE (IN ALL 3 PLANES)
LED FUNCTION	GREEN = POWER ON FLASHING GREEN: SHORT-CIRCUIT WARNING RED = OUTPUT ENERGIZED
SENSING RANGE	8 mm = .315" (NOMINAL)
SWITCHING FREQUENCY	60 Hz
REPEATABILITY	≤ 2% OF RATED OPERATING DISTANCE
EMBEDDABLE (SHIELDED)	YES



SOURCE DRAWING - FOR REFERENCE ONLY

RELATED DOCUMENTS		3RD ANGLE PROJECTION		THIS DRAWING IS PROPERTY OF TURCK INC. USE OF THIS DOCUMENT WITHOUT WRITTEN PERMISSION IS PROHIBITED.		 3000 CAMPUS DRIVE MINNEAPOLIS, MN 55441 1-800-544-7769 (763) 553-7300 (763) 553-0708 fax turck.com	
1.			ALL DIMENSIONS DISPLAYED ON THIS DRAWING ARE FOR REFERENCE ONLY	DRFT	RDS	DATE	08/13/02
2.				DSGN		SCALE	NONE
3.		MATERIAL		UNIT OF MEASUREMENT		IDENTIFICATION NO.	
4.		BRASS BARREL		INCH [ MILLIMETER ]		T4209397	
FINISH		COPPER, NICKEL, CHROME PLATING		CONTACT TURCK FOR MORE INFORMATION		REV	
A		DRAWING RELEASE		DO NOT SCALE THIS DRAWING		A	
REV	DESCRIPTION	BY	DATE	ECO NO.	FILE: T4209397	SHEET 1 OF 1	