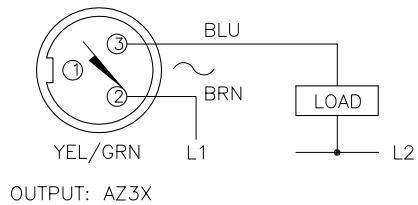
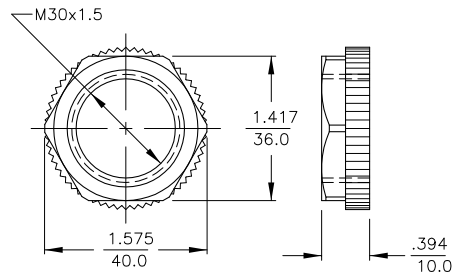


WIRING DIAGRAM



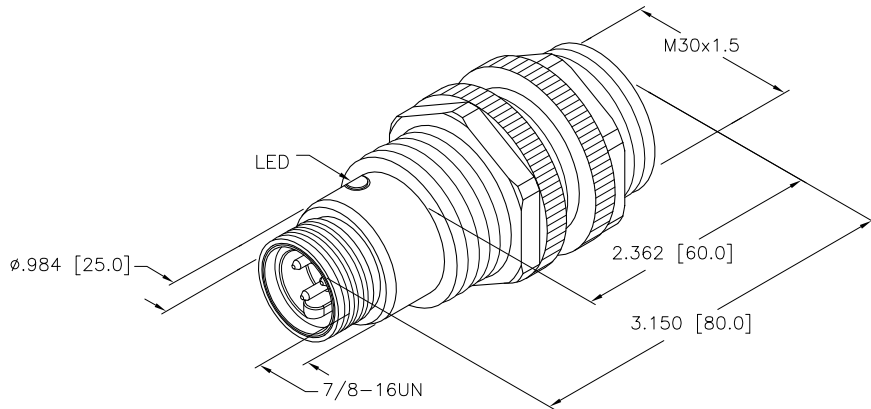
WARNING: NO SHORT-CIRCUIT PROTECTION
ALWAYS WIRE A LOAD IN SERIES WITH THE SENSOR.

LOCKNUT LN-P30



SPECIFICATIONS

RATED OPERATING DISTANCE	15mm = .591" (NOMINAL)
MOUNTING MODE	NON-FLUSH
REPEATABILITY	RATED OPERATING DISTANCE
HYSTERESIS	3-15%
AMBIENT TEMPERATURE	-25°C to +70°C (-13°F to +158°F)
OPERATING VOLTAGE	20-250 VDC/DC
CONTINUOUS LOAD CURRENT	≤ 500 mA
LINE FREQUENCY	40-60 Hz
RESIDUAL CURRENT	≤ 1.7 mA
PROTECTION AGAINST TRANSIENTS	5 kV, 10 ms, 10 kΩ
MIN. OPERATING CURRENT	≥ 5.0 mA
INRUSH CURRENT	≤ 8 A (≤ 10 ms/5 Hz)
MAX. VOLTAGE DROP	≤ 7.0 V
OUTPUT FUNCTION	NORMALLY OPEN, 2-WIRE, AC, SELF-CONTAINED
SHORT-CIRCUIT PROTECTION	NO
TIME DELAY BEFORE AVAILABILITY	≤ 20 ms
POWER-ON EFFECT PROTECTION	INCORPORATED
SWITCHING FREQUENCY	≤ 0.02 kHz
VIBRATION RESISTANCE	55 Hz (IN ALL 3 PLANES)
SHOCK RESISTANCE	30 g, 11 ms
PROTECTION DEGREE	IP67
SWITCHING STATUS INDICATION	LED; RED



NOTE
PRELIMINARY
SPECIFICATIONS

SOURCE DRAWING - FOR REFERENCE ONLY

RELATED DOCUMENTS 1. 2. 3. 4.	3RD ANGLE PROJECTION 	THIS DRAWING IS CONFIDENTIAL AND THE PROPERTY OF TURCK INC. USE OF THIS DOCUMENT WITHOUT WRITTEN PERMISSION IS PROHIBITED.		TURCK INC High Technology Sensors and Automation Controls 3000 CAMPUS DRIVE MINNEAPOLIS, MN 55441 1-800-544-7769 (763) 553-7300 (763) 553-0708 fax turck.com	
	MATERIAL	DRFT GMB	DATE 5/8/90	DESCRIPTION NI15-P30-AZ3X-B2131	
FINISH	ALL DIMENSIONS DISPLAYED ON THIS DRAWING ARE FOR REFERENCE ONLY	APVD	SCALE 1=1.5	IDENTIFICATION NO. T4375400	
	CONTACT TURCK FOR MORE INFORMATION	UNIT OF MEASUREMENT INCH [MILLIMETER]		REV B	
B	UPDATE OPERATING VOLTAGE, SEE ECO	RWC	08/09/07	DO NOT SCALE THIS DRAWING	
REV	DESCRIPTION	BY	DATE	ECO NO.	FILE: T4375400
					SHEET 1 OF 1