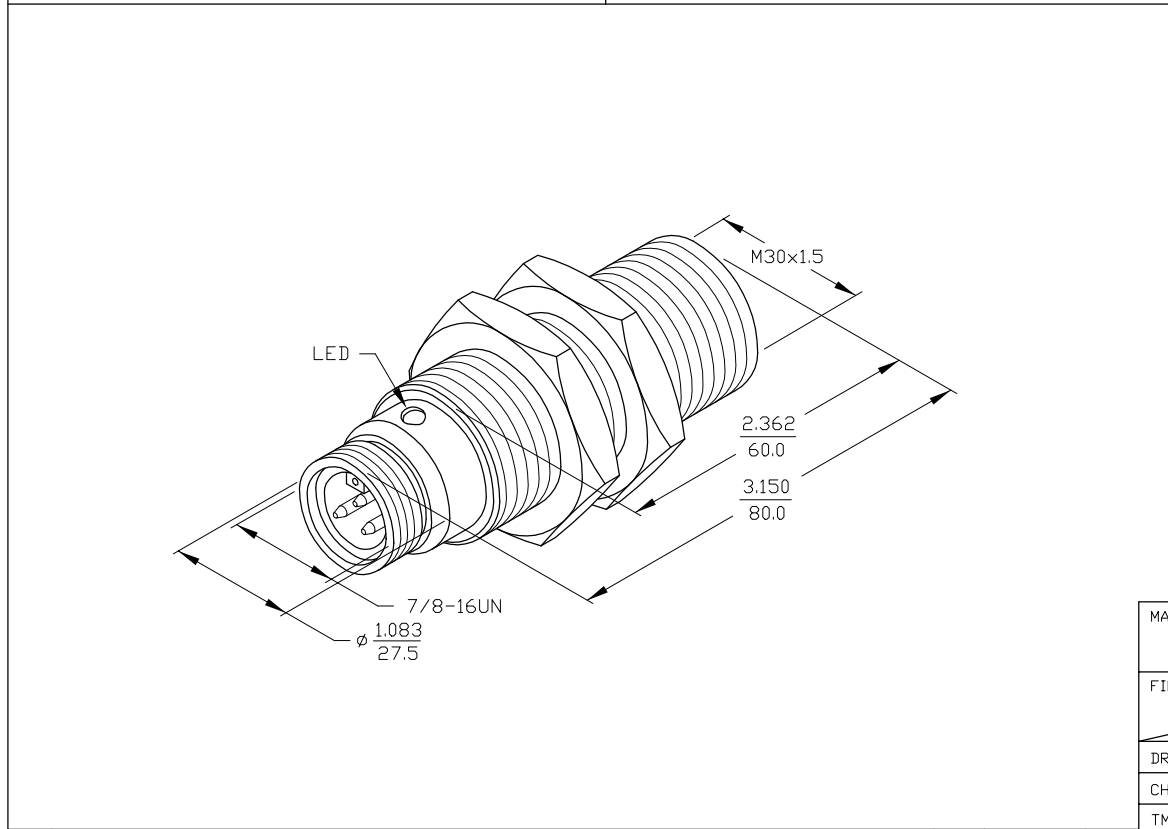


SPECIFICATIONS

OPERATING VOLTAGE	20-250 V AC
LINE FREQUENCY	40-60 Hz
HYSTERESIS (DIFFERENTIAL TRAVEL)	3-15% (5% TYPICAL)
VOLTAGE DROP ACROSS CONDUCTING SENSOR	≤7.0 V at 500 mA
OUTPUT FUNCTION -RZ	NORMALLY CLOSED 2-WIRE AC SELF-CONTAINED
SHORT-CIRCUIT PROTECTED	NO
CONTINUOUS LOAD CURRENT	≤500 mA
RESIDUAL CURRENT (LEAKAGE)	≤1.7 mA
MINIMUM LOAD CURRENT	≥5.0 mA
INRUSH CURRENT	≤8.0 A (≤10 ms/5 Hz)
TIME DELAY BEFORE AVAILABILITY	≤25 ms
POWER-ON EFFECT PROTECTION	INCORPORATED
PROTECTION AGAINST TRANSIENTS	5 kV, 10 ms, 10 kΩ
OPERATING TEMPERATURE	-25°C to +70°C (-13°F to +158°F)
ENCLOSURE	MEETS NEMA 1, 3, 4, 6, 13 AND IEC IP67
SHOCK	30 g, 11 ms
VIBRATION	55 Hz, 1 mm AMPLITUDE (IN ALL 3 PLANES)
LED FUNCTION	RED: OUTPUT ENERGIZED
SENSING RANGE	15 mm = .591" (NOMINAL)
SWITCHING FREQUENCY	20 Hz
REPEATABILITY	≤2% of NOMINAL SENSING RANGE
SHIELDED	NO
MATING PLUGS/CABLES	3-PIN "MINI" CONSTRUCTION



MATERIAL PLASTIC BARREL		3RD ANGLE PROJECTION				TURCK INC 3000 CAMPUS DRIVE MINNEAPOLIS, MN 55441 PHONE: (612) 553-9224	
FINISH		PART NO. Ni15-P30-RZ3X-B2131					
DRWN GMB	DATE 5/8/90	SIZE B		ID NO. 4375491	REV A		
CHKD	DATE	DIMENSIONS ARE IN INCHES		SCALE NONE		BPQD-A\4375491	
TMI		mm		SHEET ___ OF ___			

A	SEE REVISION DOCUMENT NP30-ARZ	RJP	3/2/92	
REV	DESCRIPTION	DRFT	DATE	CHKD
REVISIONS				