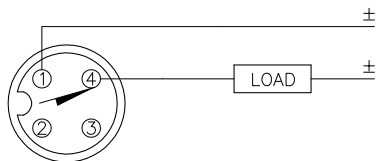


WIRING DIAGRAM

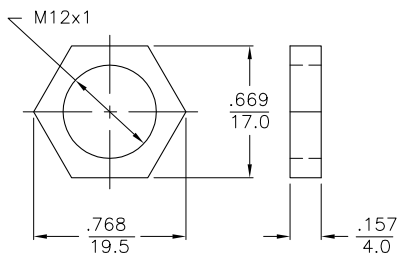
LOCKNUT LN-MT12

SPECIFICATIONS

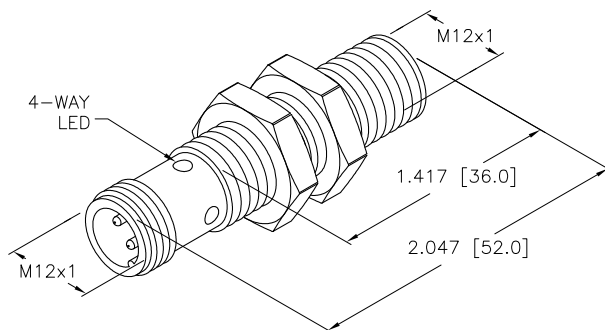


OUTPUT: AD4X

SHORT-CIRCUIT AND OVERLOAD PROTECTED



RATED OPERATING DISTANCE	3mm [.118]
MOUNTING MODE	FLUSH
TEMPERATURE DRIFT	≤±10%
HYSTERESIS	1-15%
MIN. REPEAT ACCURACY	≤2%
OPERATING TEMPERATURE	-25°C to +70°C (-13°F to +158°F)
RATED OPERATIONAL VOLTAGE	10-65 VDC
MAX. RIPPLE	≤ 10%
RATED OPERATIONAL CURRENT	≤ 100 mA
MAX. OFF-STATE CURRENT	≤ 0.6 mA
RATED INSULATION VOLTAGE	≤ 0.5 kV
SHORT-CIRCUIT PROTECTION	YES
MAX. VOLTAGE DROP	≤ 5 V
MIN. OPERATIONAL CURRENT	≥ 3 mA
MAX. SWITCHING FREQUENCY	≤ 1 kHz
OUTPUT FUNCTION	2-WIRE, NORMALLY OPEN, SELF CONTAINED
CONNECTION	M12x1
VIBRATION RESISTANCE	55 Hz (IN ALL 3 PLANES)
SHOCK RESISTANCE	30 g, 11 ms
DEGREE OF PROTECTION	IP 67
SWITCHING STATUS INDICATION	LED, YELLOW



SOURCE DRAWING - FOR REFERENCE ONLY

NOTES:

- MATERIALS:
TEFLON-COATED BRASS BARREL.
TEFLON-COATED CONNECTOR.
TEFLON-COATED BRASS LOCKNUTS.
WELDGUARD THERMOSET PLASTIC LAMINATE FRONT FACE.
- ALL DIMENSIONAL TOLERANCES: ±1.0 mm.

RELATED DOCUMENTS		3RD ANGLE PROJECTION		THIS DRAWING IS PROPERTY OF TURCK INC. USE OF THIS DOCUMENT WITHOUT WRITTEN PERMISSION IS PROHIBITED.		TURCK INC High Technology Sensors and Automation Controls 3000 CAMPUS DRIVE MINNEAPOLIS, MN 55441 1-800-544-7769 (763) 553-7300 (763) 553-0708 fax turck.com	
1.				DRFT	RDS	DATE	02/26/08
2.				DSGN	AF	SCALE	NONE
3.		MATERIAL		UNIT OF MEASUREMENT		DESCRIPTION	
4.		SEE NOTES		INCH [MILLIMETER]		BI 3-MT12H-AD4X-H1144	
		FINISH		CONTACT TURCK FOR MORE INFORMATION		IDENTIFICATION NO.	
		SEE NOTES		DO NOT SCALE THIS DRAWING		T44050983	
A		DRAWING RELEASE		RDS		02/26/08	
REV		DESCRIPTION		BY		DATE	
				ECO NO.		FILE: T44050983	
						SHEET 1 OF 1	