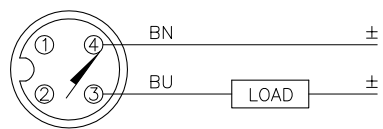


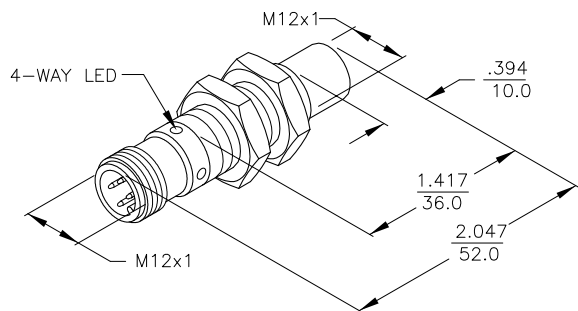
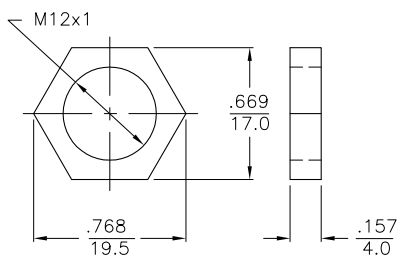
WIRING DIAGRAM

LOCKNUT LN-M12



OUTPUT: AD4X

SHORT-CIRCUIT AND OVERLOAD PROTECTED



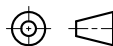
SPECIFICATIONS

OPERATING VOLTAGE	10-65 VDC
RIPPLE	≤ 10%
DIFFERENTIAL TRAVEL (HYSTERESIS)	1-15% (5% TYPICAL)
VOLTAGE DROP ACROSS CONDUCTING SENSOR	≤ 5 V at 100 mA
OUTPUT FUNCTION	NORMALLY OPEN 2-WIRE DC SELF-CONTAINED
TTL COMPATIBLE	NO
SHORT-CIRCUIT PROTECTED	YES
TRIGGER CURRENT FOR OVERLOAD PROTECTION	≥ 120 mA
CONTINUOUS LOAD CURRENT	≤ 100 mA
OFF-STATE (LEAKAGE) CURRENT	≤ 0.6 mA
TIME DELAY BEFORE AVAILABILITY	≤ 3 ms
POWER-ON EFFECT	PER IEC 947-5-2
REVERSE POLARITY PROTECTION	INCORPORATED
PROTECTION AGAINST TRANSIENTS	Per EN 60947-5-2
OPERATING TEMPERATURE (10% DRIFT)	-25°C to +70°C (-13°F to +158°F)
ENCLOSURE	MEETS NEMA 1, 3, 4, 6, 13 AND IEC IP67
SHOCK	30 g, 11 ms
VIBRATION	55 Hz, 1 mm AMPLITUDE (IN ALL 3 PLANES)
LED FUNCTION	YELLOW: OUTPUT ENERGIZED
RATED OPERATING DISTANCE(Sn)	4 mm = .157" (NOMINAL)
SWITCHING FREQUENCY	1000 Hz
REPEATABILITY	< 2% of RATED OPERATING DISTANCE
EMBEDDABLE (SHIELDED)	NO
MATING PLUGS/CABLES	4-PIN "EUROFAST" CONSTRUCTION

RELATED DOCUMENTS

- 1.
- 2.
- 3.
- 4.

3RD ANGLE PROJECTION



THIS DRAWING IS PROPERTY OF TURCK INC. USE OF THIS DOCUMENT WITHOUT WRITTEN PERMISSION IS PROHIBITED.

TURCK INC
High Technology Sensors and Automation Controls

3000 CAMPUS DRIVE
MINNEAPOLIS, MN 55441
1-800-544-7769
(763) 553-7300
(763) 553-0708 fax
turck.com

MATERIAL
BRASS BARREL

FINISH
COPPER, NICKEL,
CHROME PLATING

ALL DIMENSIONS DISPLAYED ON THIS DRAWING ARE FOR REFERENCE ONLY

CONTACT TURCK FOR MORE INFORMATION

DRFT SMW DATE 04/30/87
DSGN SCALE NONE

UNIT OF MEASUREMENT
INCH [MILLIMETER]

DO NOT SCALE THIS DRAWING

DESCRIPTION
Ni 4-M12-AD4X-H1141

IDENTIFICATION NO.
T4406700

REV
E

E	CHANGE VOLTAGE FROM (10-30) VDC TO (10-65) VDC	IK	02/08/01	T4361
REV	DESCRIPTION	BY	DATE	ECO NO.

FILE: T4406700

SHEET 1 OF 1