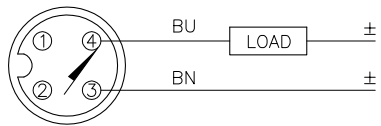


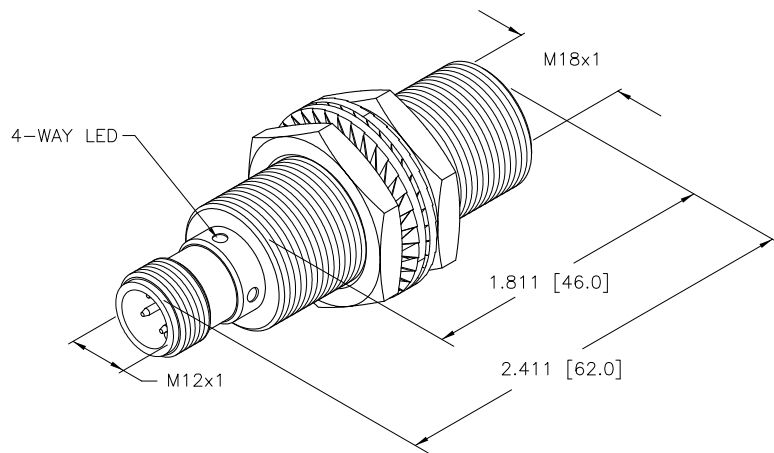
WIRING DIAGRAM



OUTPUT: AD4X
SHORT-CIRCUIT AND OVERLOAD PROTECTED

SPECIFICATIONS

OPERATING VOLTAGE	10-65 VDC
RIPPLE	≤10%
DIFFERENTIAL TRAVEL (HYSTERESIS)	1-15% (5% TYPICAL)
VOLTAGE DROP ACROSS CONDUCTING SENSOR	≤5 V at 100 mA
OUTPUT FUNCTION	NORMALLY OPEN 2-WIRE DC
TTL COMPATIBLE	NO
SHORT-CIRCUIT PROTECTED	YES
TRIGGER CURRENT FOR OVERLOAD PROTECTION	≥120 mA
CONTINUOUS LOAD CURRENT	≤ 100 mA
OFF-STATE (LEAKAGE) CURRENT	< 0.8 mA
TIME DELAY BEFORE AVAILABILITY	≤ 3 ms
POWER-ON EFFECT PROTECTION	Per IEC 947-5-2
REVERSE POLARITY PROTECTION	INCORPORATED
PROTECTION AGAINST TRANSIENTS	PER EN 60947-5-2
ENCLOSURE	MEETS NEMA 1, 3, 4, 6, 13 AND IEC IP67
OPERATING TEMPERATURE	-40°C to +70°C (-40°F to +158°F)
SHOCK	30 g, 11 ms
VIBRATION	55 Hz, 1 mm AMPLITUDE (IN ALL 3 PLANES)
LED FUNCTION	YELLOW: OUTPUT ENERGIZED
RATED OPERATING DISTANCE	7 mm = .276" (NOMINAL)
SWITCHING FREQUENCY	500 Hz
REPEATABILITY	≤ 2% OF RATED OPERATING DISTANCE
EMBEDABLE (SHIELDED)	YES
MATING PLUGS/CABLES	4-PIN "EUROFAST" CONSTRUCTION
LOCKNUT M18x1	24 mm AF, 27.5 mm AC, 4 mm THK



SOURCE DRAWING - FOR REFERENCE ONLY

NOTES:

- MATERIALS:
TEFLON-COATED BRASS BARREL
TEFLON-COATED BRASS CONNECTOR
TEFLON-COATED BRASS LOCKNUTS
BLACK CHROMATED STEEL LOCKWASHERS
- ALL DIMENSIONAL TOLERANCES: ±1.0mm.

RELATED DOCUMENTS		3RD ANGLE PROJECTION		THIS DRAWING IS PROPERTY OF TURCK INC. USE OF THIS DOCUMENT WITHOUT WRITTEN PERMISSION IS PROHIBITED.		 High Technology Sensors and Automation Controls 3000 CAMPUS DRIVE MINNEAPOLIS, MN 55441 1-800-544-7769 (763) 553-7300 (763) 553-0708 fax turck.com	
1. 2. 3. 4.				DRFT RDS	DATE 02/21/05	DESCRIPTION BI 7-MT18H-AD4X-H1141	
MATERIAL		ALL DIMENSIONS DISPLAYED ON THIS DRAWING ARE FOR REFERENCE ONLY		DSGN EH	SCALE 1=1.0	IDENTIFICATION NO. T4414580-1	
FINISH		CONTACT TURCK FOR MORE INFORMATION		UNIT OF MEASUREMENT INCH [MILLIMETER]		REV A	
A DRAWING RELEASE		RDS 02/22/05		DO NOT SCALE THIS DRAWING		FILE: T4414580-1	
REV	DESCRIPTION	BY	DATE	ECO NO.	SHEET 1 OF 1		