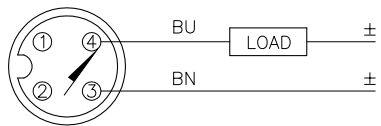
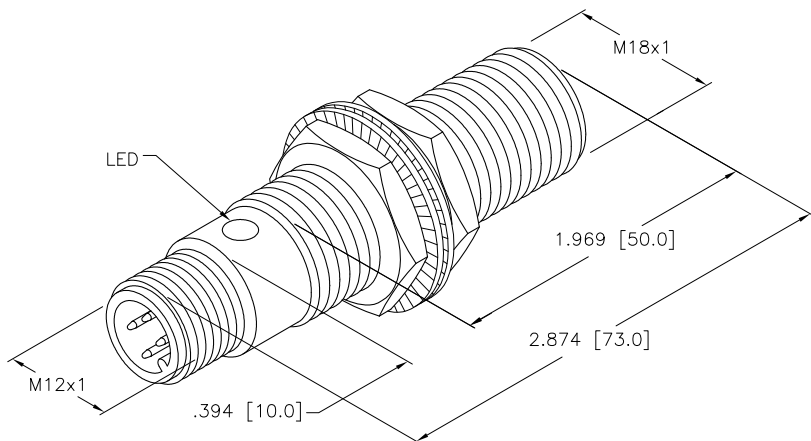


WIRING DIAGRAM



OUTPUT: AD4X

SHORT-CIRCUIT AND OVERLOAD PROTECTED



SPECIFICATIONS

OPERATING VOLTAGE	10-65 VDC
RIPPLE	≤10%
DIFFERENTIAL TRAVEL (HYSTERESIS)	1-15% (5% TYPICAL)
VOLTAGE DROP ACROSS CONDUCTING SENSOR	≤5 V at 100 mA
OUTPUT FUNCTION	NORMALLY OPEN 2-WIRE DC
TTL COMPATIBLE	NO
SHORT-CIRCUIT PROTECTED	YES
TRIGGER CURRENT FOR OVERLOAD PROTECTION	≥120 mA
CONTINUOUS LOAD CURRENT	≤100 mA
OFF-STATE (LEAKAGE) CURRENT	≤0.8 mA
TIME DELAY BEFORE AVAILABILITY	≤3 ms
POWER-ON EFFECT	PER IEC 947-5-2
REVERSE POLARITY PROTECTION	INCORPORATED
PROTECTION AGAINST TRANSIENTS	Per EN 60947-5-2
OPERATING TEMPERATURE	-25°C to +70°C (-13°F to +158°F)
ENCLOSURE	MEETS NEMA 1, 3, 4, 6, 13 AND IEC IP67
SHOCK	30 g, 11 ms
VIBRATION	55 Hz, 1 mm AMPLITUDE (IN ALL 3 PLANES)
LED FUNCTION	YELLOW: OUTPUT ENERGIZED
RATED OPERATING DISTANCE(Sn)	7 mm = .276" (NOMINAL)
SWITCHING FREQUENCY	1000 Hz
REPEATABILITY	≤2% of RATED OPERATING DISTANCE
EMBEDDABLE (SHIELDED)	YES
MATING PLUGS/CABLES	4-PIN "EUROFAST" CONSTRUCTION
LOCKNUT M18x1	24 mm AF, 27.5 mm AC, 4 mm THK

SOURCE DRAWING - FOR REFERENCE ONLY

NOTES:

- MATERIALS:
 TEFLON-COATED BRASS BARREL
 TEFLON-COATED BRASS CONNECTOR
 TEFLON-COATED BRASS LOCKNUTS
 CHROMATED STEEL LOCKWASHERS
 STONEFACE FRONT CAP
- ALL DIMENSIONAL TOLERANCES: ±1.0mm.

RELATED DOCUMENTS		3RD ANGLE PROJECTION		THIS DRAWING IS PROPERTY OF TURCK INC. USE OF THIS DOCUMENT WITHOUT WRITTEN PERMISSION IS PROHIBITED.		3000 CAMPUS DRIVE MINNEAPOLIS, MN 55441 1-800-544-7769 (763) 553-7300 (763) 553-0708 fax turck.com	
1. 2. 3. 4.				DRFT	CBM	DATE	06/20/01
MATERIAL		ALL DIMENSIONS DISPLAYED ON THIS DRAWING ARE FOR REFERENCE ONLY		DSGN		SCALE	1=1.0
FINISH		CONTACT TURCK FOR MORE INFORMATION		UNIT OF MEASUREMENT		DESCRIPTION	
				INCH [MILLIMETER]		Bi 7-MT18HE-AD4X-H1141	
				DO NOT SCALE THIS DRAWING		IDENTIFICATION NO.	
						T4414597	
						REV	
						A	
A	DRAWING RELEASE	RDS	04/09/09	25756			
REV	DESCRIPTION	BY	DATE	ECO NO.	FILE: T4414597		
					SHEET		1 OF 1