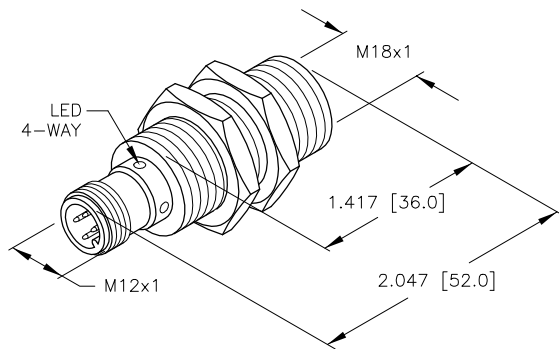


OUTPUT: VN4X



**NOTE
PRELIMINARY
SPECIFICATIONS**

SOURCE DRAWING - FOR REFERENCE ONLY

RELATED DOCUMENTS	3RD ANGLE PROJECTION	THIS DOCUMENT IS PROPERTY OF TURCK INC. USE OF THIS DOCUMENT WITHOUT WRITTEN PERMISSION IS PROHIBITED.			3000 CAMPUS DRIVE MINNEAPOLIS, MN 55441 1-800-544-7769 (763) 553-7300 (763) 553-0708 fax turck.com
1. 2. 3. 4.		DRFT IK	DATE 05/09/01	DESCRIPTION	
MATERIAL	TOLERANCES UNLESS OTHERWISE SPECIFIED	DSGN	SCALE 1=1.5	Bi 8-M18-VN4X-H1141	
FINISH	±0.0394 in [±1.00 mm]	UNIT OF MEASUREMENT INCH [MILLIMETER]		IDENTIFICATION NO.	REV
		DO NOT SCALE THIS DRAWING		T4590702	P1
		FILE: T4590702			SHEET 1 OF 1

NOTE: ALL DIMENSION TOLERANCES ARE ±1.0 mm.

P1	DESCRIPTION	IK	05/09/01	ECO NO.
REV	DESCRIPTION	BY	DATE	ECO NO.