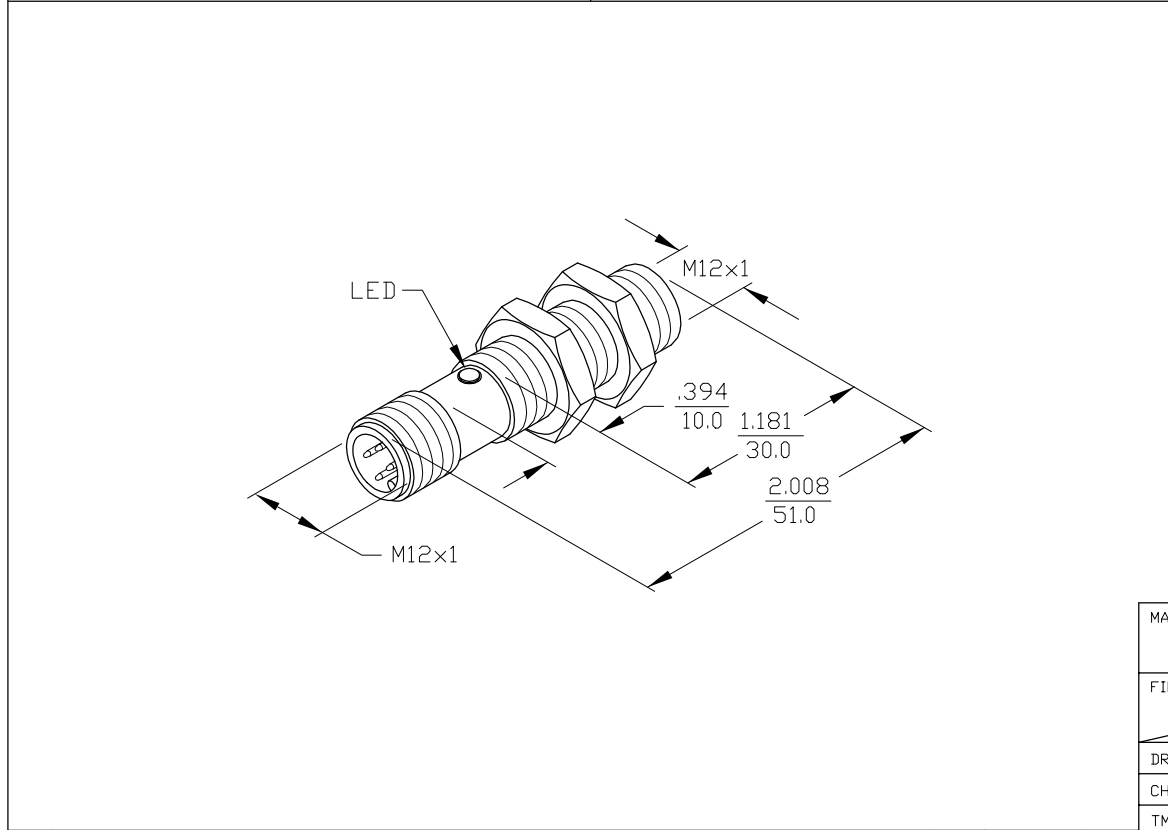


SPECIFICATIONS

| | |
|---|--|
| OPERATING VOLTAGE | 10-30 VDC (SHORT-CIRCUIT PROTECTED) |
| RIPPLE | ≤10% |
| HYSTERESIS (DIFFERENTIAL TRAVEL) | 3-15% (5% TYPICAL) |
| VOLTAGE DROP ACROSS CONDUCTING SENSOR | ≤1.8 V at 200 mA |
| OUTPUT FUNCTION | NORMALLY OPEN 3-WIRE DC SELF-CONTAINED |
| TTL COMPATIBLE | NO |
| SHORT-CIRCUIT PROTECTED | YES |
| TRIGGER CURRENT FOR OVERLOAD PROTECTION | ≥220 mA |
| CONTINUOUS LOAD CURRENT | ≤200 mA |
| LEAKAGE (OFF-STATE) CURRENT | <10 μA |
| NO-LOAD CURRENT | 5.5-9.5 mA |
| TIME DELAY BEFORE AVAILABILITY | ≤8 ms |
| POWER-ON EFFECT PROTECTION | INCORPORATED |
| POLARITY INVERSION PROTECTION | INCORPORATED |
| WIRE-BREAK PROTECTION | INCORPORATED |
| PROTECTION AGAINST TRANSIENTS | 2 kV, 1 ms, 1 kΩ |
| OPERATING TEMPERATURE | -25°C to +70°C (-13°F to +158°F) |
| ENCLOSURE | MEETS NEMA 1, 3, 4, 6, 13 AND IEC IP67 |
| SHOCK | 30 g, 11 ms |
| VIBRATION | 55 Hz, 1 mm AMPLITUDE (IN ALL 3 PLANES) |
| LED FUNCTION | RED: OUTPUT ENERGIZED |
| SENSING RANGE | 2 mm = .079" (NOMINAL) |
| SWITCHING FREQUENCY | 2000 Hz |
| REPEATABILITY | ≤2% |
| SHIELDED | YES |



| | | | | | |
|----------------------------|-------------|-----------------------------------|--|---|----------------|
| MATERIAL PLASTIC BARREL | | 3RD ANGLE PROJECTION | | TURCK INC 3000 CAMPUS DRIVE MINNEAPOLIS, MN 55441 PHONE: (612) 553-9224 | |
| FINISH | | | | | |
| DRWN SMW | DATE 8/5/87 | PART NO. Bi2-S12-AP6X-H1141 | | | |
| CHKD | DATE | SIZE B | | ID NO. 4652000 | REV B |
| TMI | | DIMENSIONS ARE IN INCHES mm | | SCALE NONE | BMQD-D\4652000 |
| SHEET ___ OF ___ | | | | | |

| | | | | |
|-----------|------------------------------|------|--------|------|
| B | SEE REVISION DOCUMENT CP-S12 | GMB | 4/9/91 | |
| REV | DESCRIPTION | DRFT | DATE | CHKD |
| REVISIONS | | | | |