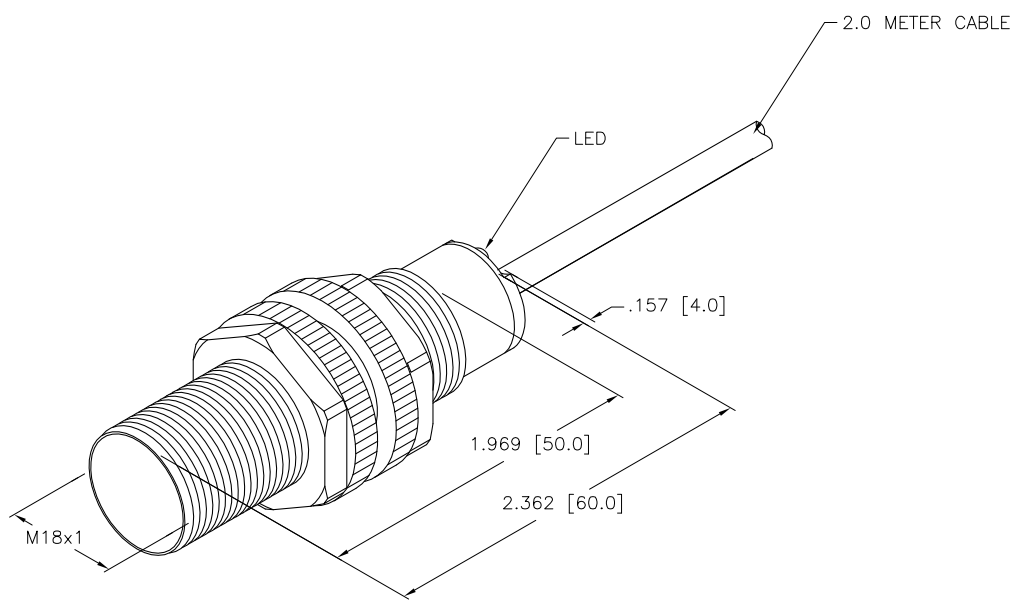


SPECIFICATIONS	
RATED OPERATING DISTANCE	8mm [0.315"]
MOUNTING MODE	NON-FLUSH
REPEATABILITY	≤2%
TEMPERATURE DRIFT	≤±10%
HYSTERESIS	3-15%
OPERATING TEMPERATURE	-25°C to +70°C (-13°F to +158°F)
OPERATING VOLTAGE	10-30 VDC
RESIDUAL RIPPLE	≤10%
DC RATED OPERATIONAL CURRENT	≤ 200mA
NO-LOAD CURRENT	≤ 15 mA
RESIDUAL CURRENT	≤ 1 mA
RATED INSULATION VOLTAGE	≤ 0.5 kV
SHORT-CIRCUIT PROTECTION	YES
MAX. VOLTAGE DROP	≤ 1.8 V
WIRE BREAKAGE PROTECTION	INCORPORATED
REVERSE POLARITY PROTECTION	INCORPORATED
OUTPUT FUNCTION	3-WIRE, NORMALLY OPEN, NPN
MAX. SWITCHING FREQUENCY	≤ 2 kHz
HOUSING MATERIAL	PLASTIC, PA12-GF30
MATERIAL ACTIVE FACE	PLASTIC, PA12-GF30
CABLE	ø5.2, PVC
VIBRATION RESISTANCE	55 Hz (IN ALL 3 PLANES)
SHOCK RESISTANCE	30g (11ms)
PROTECTION CLASS	IP67
SWITCHING STATUS INDICATION	LED, YELLOW



**SOURCE DRAWING - FOR REFERENCE ONLY**

RELATED DOCUMENTS		3RD ANGLE PROJECTION		THIS DRAWING IS CONFIDENTIAL AND THE PROPERTY OF TURCK INC. USE OF THIS DOCUMENT WITHOUT WRITTEN PERMISSION IS PROHIBITED.		 High Technology Sensors and Automation Controls		3000 CAMPUS DRIVE MINNEAPOLIS, MN 55441 1-800-544-7769 (763) 553-7300 (763) 553-0708 fax turck.com	
1.			ALL DIMENSIONS DISPLAYED ON THIS DRAWING ARE FOR REFERENCE ONLY	DRFT	GMB	DATE	9/9/88	DESCRIPTION NI 8-S18-AN6X	
2.				APVD		SCALE	1=1.0		
3.		CONTACT TURCK FOR MORE INFORMATION		UNIT OF MEASUREMENT		IDENTIFICATION NO. T4656300		REV A	
4.				<b>INCH [ MILLIMETER ]</b>					
MATERIAL		SEE SPECIFICATION		DO NOT SCALE THIS DRAWING		FILE: T4656300		SHEET 1 OF 1	
FINISH		SEE SPECIFICATION							

A	DRAWING RELEASE	RJP	2/15/93	
REV	DESCRIPTION	BY	DATE	ECO NO.