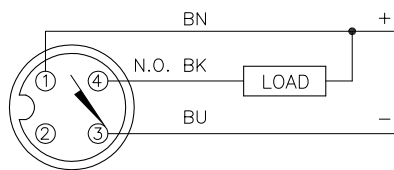


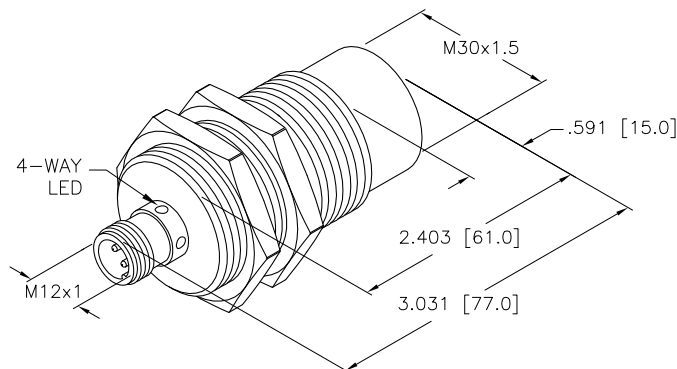
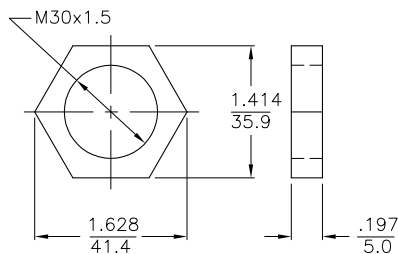
WIRING DIAGRAM



OUTPUT: AN6X

SHORT-CIRCUIT AND OVERLOAD PROTECTED

LOCKNUT LN-EM30



SPECIFICATIONS

OPERATING VOLTAGE	10-30 VDC
HYSTERESIS (DIFFERENTIAL TRAVEL)	3-15% (5% TYPICAL)
VOLTAGE DROP ACROSS CONDUCTING SENSOR	≤ 1.8 V at 200 mA
OUTPUT FUNCTION	NORMALLY OPEN 3-WIRE DC
TTL COMPATIBLE	NO
SHORT-CIRCUIT PROTECTED	YES
TRIGGER CURRENT FOR OVERLOAD PROTECTION	≥ 220 mA
CONTINUOUS LOAD CURRENT	≤ 200 mA
OFF-STATE (LEAKAGE) CURRENT	<100 μA
NO-LOAD CURRENT	≤ 10 mA
TIME DELAY BEFORE AVAILABILITY	≤ 8 ms
POWER-ON EFFECT	Per IEC 947-5-2
REVERSE POLARITY PROTECTION	INCORPORATED
WIRE-BREAK PROTECTION	INCORPORATED
TRANSIENT PROTECTION	Per EN 60947-5-2
OPERATING TEMPERATURE	-25°C to +70°C (-13°F to +158°F)
ENCLOSURE	MEETS NEMA 1, 3, 4, 6, 13 AND IEC IP67
SHOCK	30 g, 11 ms
VIBRATION	55 Hz, 1 mm AMPLITUDE (IN ALL 3 PLANES)
LED FUNCTION	YELLOW: OUTPUT ENERGIZED
RATED OPERATING DISTANCE(Sn)	20 mm = .787" (NOMINAL)
SWITCHING FREQUENCY	500 Hz
REPEATABILITY	≤ 2% of RATED OPERATING DISTANCE
SHIELDED	NO
TEMPERATURE DRIFT	<±15%

NOTES:

- MATERIAL:
  - STAINLESS STEEL BARREL
  - STAINLESS STEEL CONNECTOR
  - STAINLESS STEEL LOCKNUTS
  - STAINLESS STEEL LOCKWASHERS
- THERMOSET LAMINATE SENSING FACE.

SOURCE DRAWING - FOR REFERENCE ONLY

RELATED DOCUMENTS		3RD ANGLE PROJECTION		THIS DRAWING IS PROPERTY OF TURCK INC. USE OF THIS DOCUMENT WITHOUT WRITTEN PERMISSION IS PROHIBITED.		<b>TURCK INC</b> High Technology Sensors and Automation Controls 3000 CAMPUS DRIVE MINNEAPOLIS, MN 55441 1-800-544-7769 (763) 553-7300 (763) 553-0708 fax turck.com	
1.				DRFT RDS		DATE 10/30/01	
2.				DSGN		SCALE 1=1.5	
3.				UNIT OF MEASUREMENT <b>INCH [ MILLIMETER ]</b>		DESCRIPTION	
4.						Ni20-EM30H-AN6X-H1141/S1589	
MATERIAL		SEE NOTE		ALL DIMENSIONS DISPLAYED ON THIS DRAWING ARE FOR REFERENCE ONLY		IDENTIFICATION NO.	
FINISH		SEE NOTE		CONTACT TURCK FOR MORE INFORMATION		T4670599	
B		UPDATE BARREL LENGTH ON SENSOR		RDS		06/27/08 21775	
REV		DESCRIPTION		BY		DATE ECO NO.	
						DO NOT SCALE THIS DRAWING	
						FILE: T4670599	
						SHEET 1 OF 1	