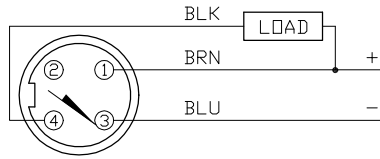
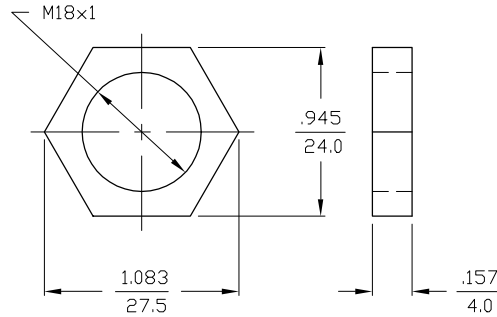


WIRING DIAGRAMS



OUTPUT: AN6X

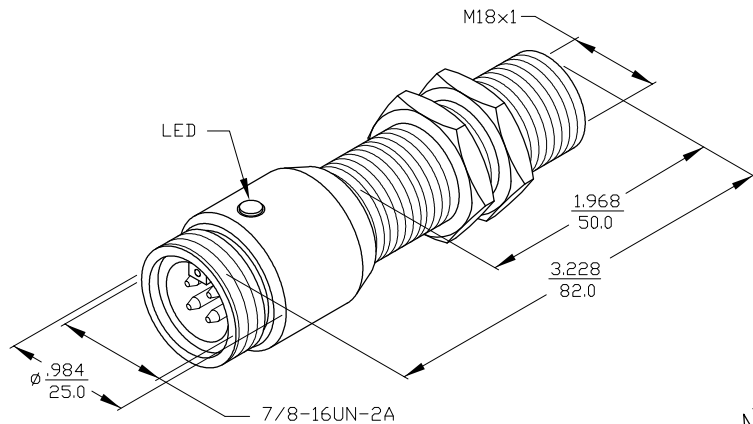
LOCKNUT LN-M18



SPECIFICATIONS

OPERATING VOLTAGE	10-30 VDC
RIPPLE	≤10%
DIFFERENTIAL TRAVEL (HYSTERESIS)	3-15% (5% TYPICAL)
VOLTAGE DROP ACROSS CONDUCTING SENSOR	≤1.8 V at 200 mA
OUTPUT FUNCTION	NORMALLY OPEN 3-WIRE DC SELF-CONTAINED
TTL COMPATIBLE	NO
SHORT-CIRCUIT PROTECTED	YES
TRIGGER CURRENT FOR OVERLOAD PROTECTION	≥220 mA
CONTINUOUS LOAD CURRENT	≤200 mA
OFF-STATE (LEAKAGE) CURRENT	<10 μA
NO-LOAD CURRENT	5.5-9.5 mA
TIME DELAY BEFORE AVAILABILITY	≤8 ms
POWER-ON EFFECT PROTECTION	INCORPORATED
REVERSE POLARITY PROTECTION	INCORPORATED
WIRE-BREAK PROTECTION	INCORPORATED
PROTECTION AGAINST TRANSIENTS	EN 60947-5-2
OPERATING TEMPERATURE	-25°C to +70°C (-13°F to +158°F)
ENCLOSURE	MEETS NEMA 1, 3, 4, 6, 13 AND IEC IP67
SHOCK	30 g, 11 ms
VIBRATION	55 Hz, 1 mm AMPLITUDE (IN ALL 3 PLANES)
LED FUNCTION	RED: OUTPUT ENERGIZED
RATED OPERATING DISTANCE(Sn)	5 mm = .197" (NOMINAL)
SWITCHING FREQUENCY	1000 Hz
REPEATABILITY	≤2% of RATED OPERATING DISTANCE
EMBEDDABLE (SHIELDED)	YES
MATING PLUGS & CABLES	4-PIN "MINIFAST" CONSTRUCTION

SHORT-CIRCUIT AND OVERLOAD PROTECTED



NOTE: PRELIMINARY SPECIFICATIONS

MATERIAL	BRASS BARREL	3RD ANGLE PROJECTION		TURCK INC 3000 CAMPUS DRIVE MINNEAPOLIS, MN 55441 PHONE: (763) 553-7300			
FINISH	COPPER/NICKEL/ CHROME PLATING						
DRFT	IK	DATE	5/7/97	PART NO./DESCR.			
DSGN		Y#			Bi5-G18-AN6X-B1341 (50)		
TMI		SIZE	B	ID NO.	4695299	REV	P1
DIMENSION UNITS: INCHES [MILLIMETERS]		SCALE	NONE	BMQD-D\4695299	SHEET	OF	

REV	DESCRIPTION	DRFT	DATE	ECO NO.
	REVISIONS			