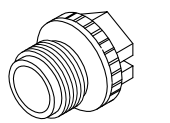
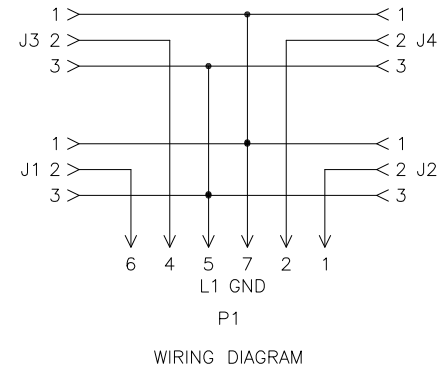
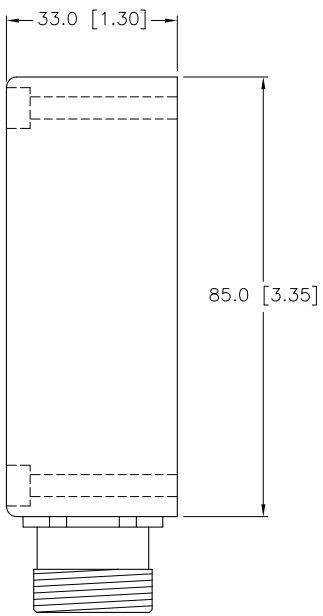
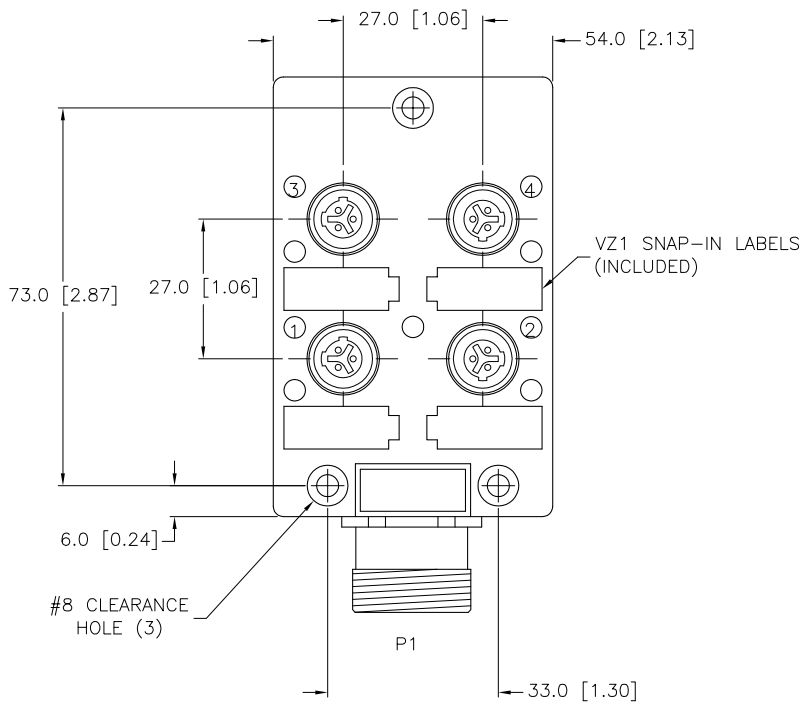


SPECIFICATIONS	
HOUSING MATERIAL/COLOR	NYLON/YELLOW
RECEPTACLE MATERIAL/PLATING	BRASS/NICKEL
CONTACT CARRIERS/COLOR	NYLON or PBT/BLACK (J1-J4), GRAY (P1)
CONTACT MATERIAL/PLATING	BRASS/GOLD
OPERATING VOLTAGE	250 V
OPERATING CURRENT	4.0 AMPS PER PORT, 7.0 AMPS TOTAL
PROTECTION CLASS to DIN 40050	NEMA 1,3,4,6P and IP 67 - ONLY WHEN ALL RECEPTACLES ARE COVERED WITH PLUGS OR CONNECTED
OPERATING TEMPERATURE	-30°C to +80°C (-22°F to +176°F)



SB-CC CLOSURE CAPS (2 INCLUDED)

SOURCE DRAWING - FOR REFERENCE ONLY

RELATED DOCUMENTS 1. 20101195 2. 3. 4.		3RD ANGLE PROJECTION 		THIS DRAWING IS PROPERTY OF TURCK INC. USE OF THIS DOCUMENT WITHOUT WRITTEN PERMISSION IS PROHIBITED.		<b>TURCK INC</b> High Technology Sensors and Automation Controls 3000 CAMPUS DRIVE MINNEAPOLIS, MN 55441 1-800-544-7769 (763) 553-7300 (763) 553-0708 fax turck.com	
MATERIAL SEE SPECIFICATIONS		DRFT	RJP	DATE	12/28/95	DESCRIPTION VBKB 40-CS12	
FINISH SEE SPECIFICATIONS		DSGN		SCALE	1=1.5	IDENTIFICATION NO. U0112-1	
		UNIT OF MEASUREMENT <b>MILLIMETER [ INCH ]</b>		DO NOT SCALE THIS DRAWING		REV C	FILE: U0112-1
C	UPDATE SOUCE DRAWING PER REDLINE, SEE ECO	RDS	02/01/10	29780	SHEET 1 OF 1		
REV	DESCRIPTION	BY	DATE	ECO NO.			