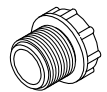
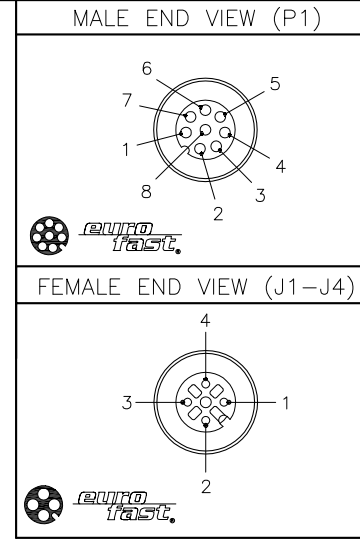
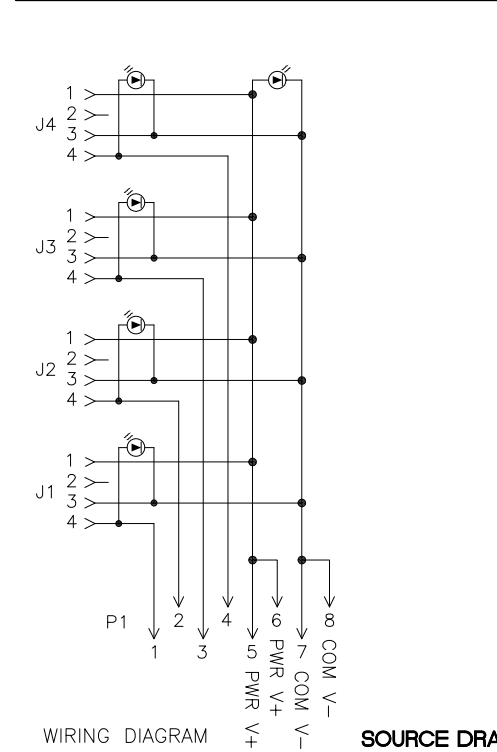


SPECIFICATIONS	
MATERIAL	
HOUSING/COLOR	NYLON/BLACK
RECEPTACLES	BRASS/NICKEL
CONTACT CARRIERS/COLOR	NYLON/BLACK
CONTACTS	BRASS/GOLD
SEALING RING	VITON O-RINGS
ELECTRICAL DATA	
OPERATING VOLTAGE [V]	10-48 VDC
OPERATING CURRENT [A]	4.0 AMPS PER PORT
TOTAL CURRENT [A]	2.0 AMPS USING SINGLE POWER PAIR 4.0 AMPS USING DUAL POWER PAIR
MECHANICAL DATA	
PROTECTION CLASS	IP 67 - ONLY WHEN ALL RECEPTACLES ARE COVERED WITH PLUGS OR CONNECTED
OPERATING TEMPERATURE	-30°C to +80°C (-25°F to +176°F)



VZ 3 CLOSURE CAPS (2 INCLUDED)

RELATED DOCUMENTS		3RD ANGLE PROJECTION		THIS DRAWING IS PROPERTY OF TURCK INC. USE OF THIS DOCUMENT WITHOUT WRITTEN PERMISSION IS PROHIBITED.		TURCK INC High Technology Sensors and Automation Controls 3000 CAMPUS DRIVE MINNEAPOLIS, MN 55441 1-800-544-7769 (763) 553-7300 (763) 553-0708 fax turck.com	
1. 2. 3. 4.				DRFT JBJ DATE 01/27/02		DESCRIPTION 4MBM12-4P2-FS8	
MATERIAL SEE SPECIFICATIONS		ALL DIMENSIONS DISPLAYED ON THIS DRAWING ARE FOR REFERENCE ONLY		DSGN SCALE 1=1.3		IDENTIFICATION NO. U0877-10	
FINISH SEE SPECIFICATIONS		CONTACT TURCK FOR MORE INFORMATION		UNIT OF MEASUREMENT MILLIMETER [INCH]		REV F	
F UPDATE PER ECO		*CK 01/05/11 33844		DO NOT SCALE THIS DRAWING		FILE: U0877-10	
REV DESCRIPTION		BY DATE ECO NO.				SHEET 1 OF 1	

SOURCE DRAWING - FOR REFERENCE ONLY