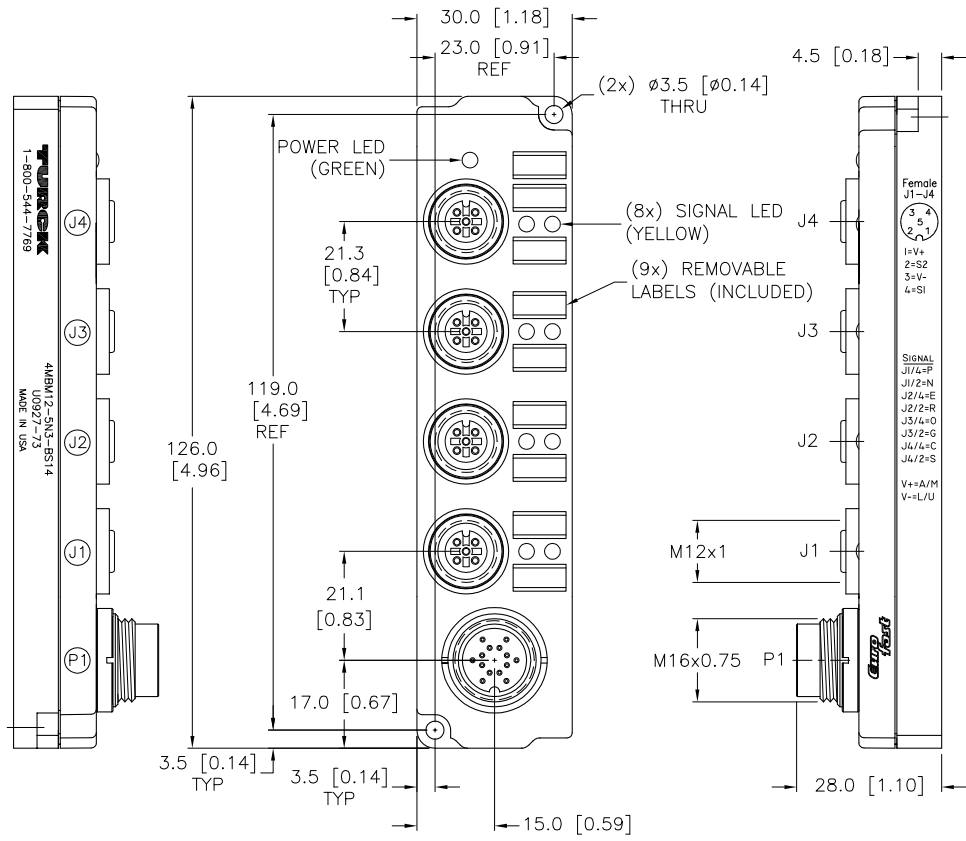
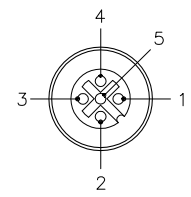


SPECIFICATIONS

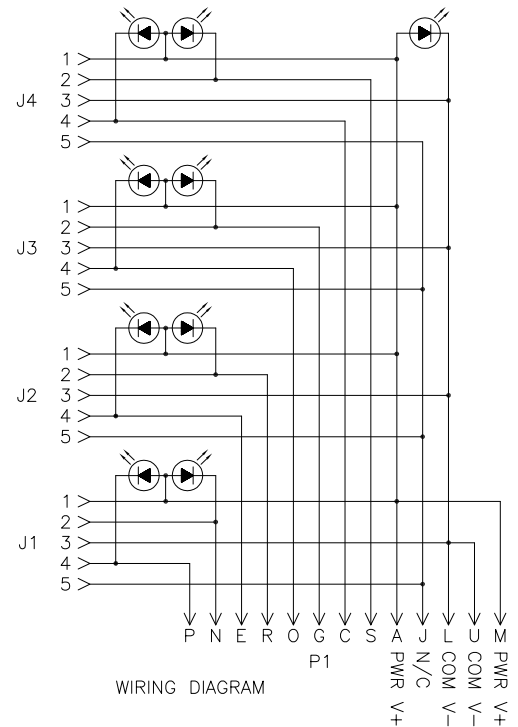
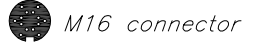
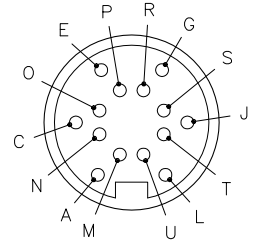
HOUSING MATERIAL/COLOR	NYLON/BLACK
RECEPTACLE HOUSING MATERIAL/PLATING	ALUMINUM (P1), BRASS/NICKEL (J1-J4)
CONTACT CARRIER MATERIAL/COLOR	PETP/BLACK, NYLON/BLACK (J1-J4)
CONTACT MATERIAL/PLATING	BRASS/GOLD
SEALING RING	VITON O-RINGS (M12)
OPERATING VOLTAGE [V]	10-48 VDC
OPERATING CURRENT [A]	4.0 AMPS PER PORT
TOTAL CURRENT [A]	3.0 AMPS USING SINGLE POWER PAIR 6.0 AMPS USING DUAL POWER PAIR
PROTECTION CLASS	IP 67 - ONLY WHEN ALL RECEPTACLES ARE COVERED WITH PLUGS OR CONNECTED
OPERATING TEMPERATURE	-30°C to +80°C (-22°F to +176°F)



FEMALE END VIEW (J1-J4)

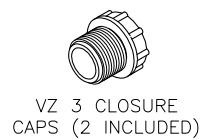


MALE END VIEW (P1)



WIRING DIAGRAM

SOURCE DRAWING - FOR REFERENCE ONLY



RELATED DOCUMENTS 1. 2. 3. 4.	3RD ANGLE PROJECTION 	THIS DRAWING IS PROPERTY OF TURCK INC. USE OF THIS DOCUMENT WITHOUT WRITTEN PERMISSION IS PROHIBITED.		3000 CAMPUS DRIVE MINNEAPOLIS, MN 55441 1-800-544-7769 (763) 553-7300 (763) 553-0708 fax turck.com		
		MATERIAL SEE SPECIFICATIONS	DRFT RWC DSGN	DATE 10/31/06 SCALE 1=1.5	DESCRIPTION 4MBM12-5N3-BS14	
		FINISH SEE SPECIFICATIONS	UNIT OF MEASUREMENT MILLIMETER [INCH]		IDENTIFICATION NO. U0927-73	REV B
		CONTACT TURCK FOR MORE INFORMATION		DO NOT SCALE THIS DRAWING		FILE: U0927-73

B	UPDATE SPECIFICATIONS, SEE ECO	RWC	01/04/11	33843
REV	DESCRIPTION	BY	DATE	ECO NO.