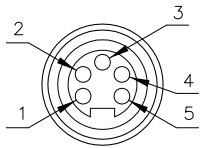
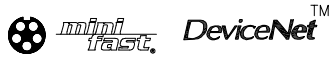


FEMALE END VIEW

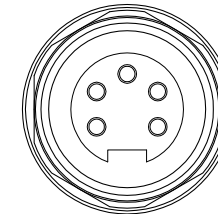
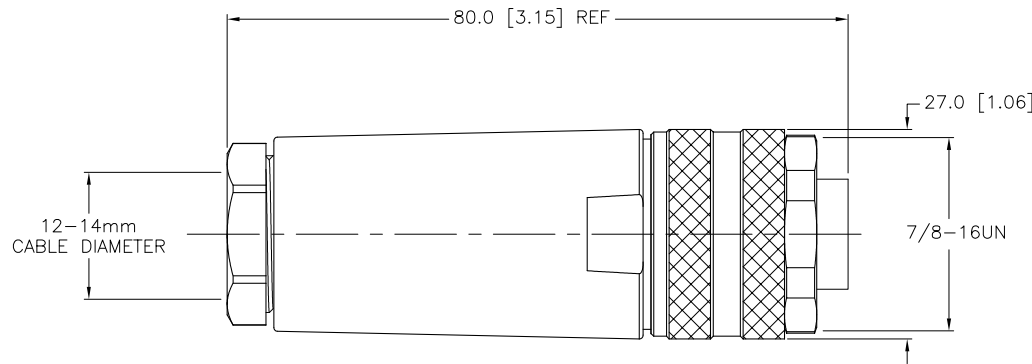


- 1 = BARE (SHIELD)
- 2 = RED (+ VOLTAGE)
- 3 = BLACK (- VOLTAGE)
- 4 = WHITE (CAN_H)
- 5 = BLUE (CAN_L)

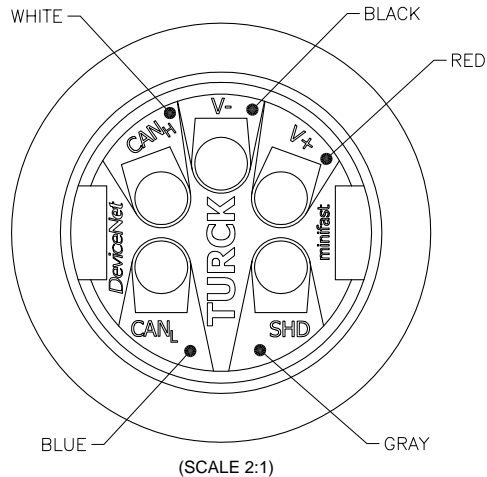


SPECIFICATIONS

| | |
|-------------------------------|----------------------------------|
| HOUSING MATERIAL/COLOR | GLASS FILLED NYLON/BLACK |
| CONTACT MATERIAL/PLATING | BRASS/GOLD |
| COUPLING NUT MATERIAL/PLATING | DIECAST ZINC/NICKEL |
| RATED CURRENT [A] | 9.0 A |
| RATED VOLTAGE [V] | 250 V |
| MAXIMUM WIRE SIZE | 16 AWG |
| TERMINATION METHOD | SCREW TERMINAL |
| TEMPERATURE RATING | -40°C to +90°C (-40°F to +194°F) |
| PROTECTION CLASS | IEC IP 67 |
| CABLE GRIP RANGE | 12-14mm DIA. |



WIRE SIDE VIEW OF CONTACT HOLDER TO SHOW LABEL DETAILS



SOURCE DRAWING - FOR REFERENCE ONLY

| | | | | | |
|---|------------------------------------|---|-----------------|---|---------------------------------|
| RELATED DOCUMENTS 1. 2. 3. 4. | 3RD ANGLE PROJECTION | THIS DRAWING IS PROPERTY OF TURCK INC. USE OF THIS DOCUMENT WITHOUT WRITTEN PERMISSION IS PROHIBITED. | | 3000 CAMPUS DRIVE MINNEAPOLIS, MN 55441 1-800-544-7769 (763) 553-7300 (763) 553-0708 fax turck.com | |
| | MATERIAL SEE SPECIFICATIONS | ALL DIMENSIONS DISPLAYED ON THIS DRAWING ARE FOR REFERENCE ONLY | DRFT MS DSGN | DATE 09/06/07 SCALE 1=1.0 | DESCRIPTION B 4151-0/16/DNET |
| FINISH SEE SPECIFICATIONS | CONTACT TURCK FOR MORE INFORMATION | UNIT OF MEASUREMENT MILLIMETER [INCH] | | IDENTIFICATION NO. U3-01279 | REV B |
| DO NOT SCALE THIS DRAWING | | FILE: U3-01279 | | SHEET 1 OF 1 | |

| | | | | |
|-----|---------------------------------------|-----|----------|---------|
| B | UPDATE GRAPHICS FOR COUPLING, SEE ECO | RWC | 05/10/10 | 30247 |
| REV | DESCRIPTION | BY | DATE | ECO NO. |