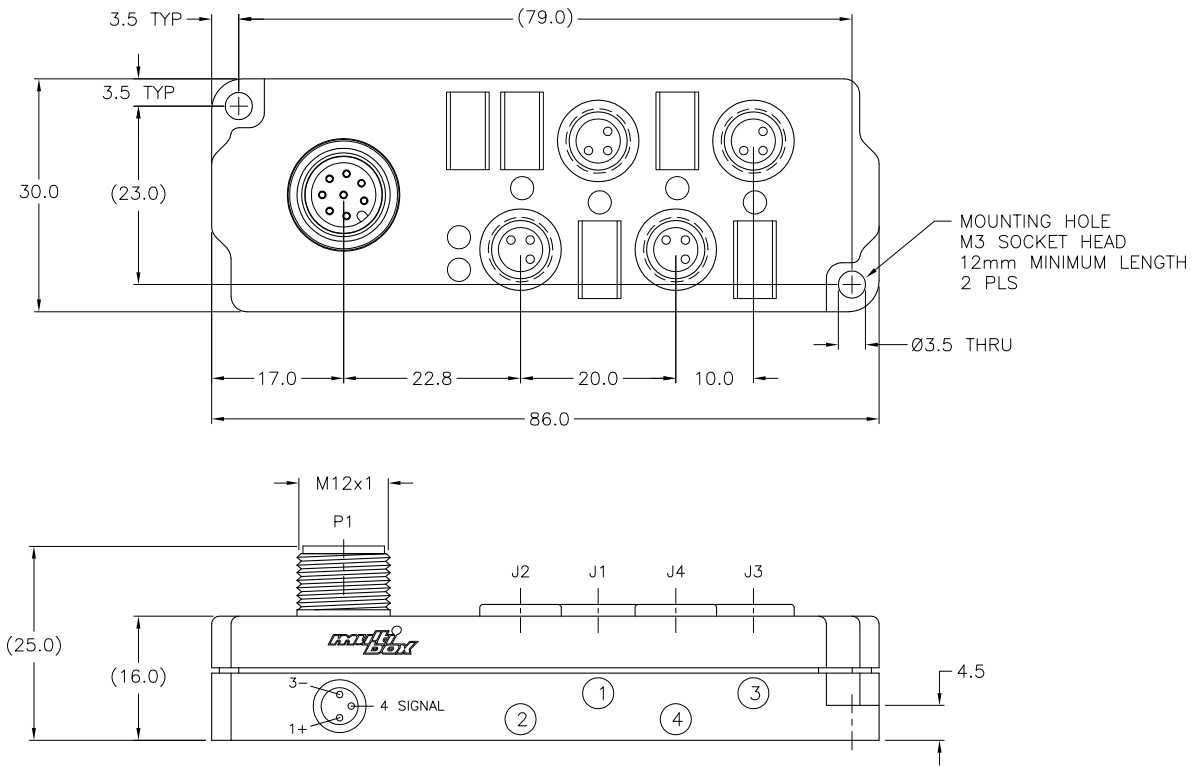


WIRING DIAGRAM	CONNECTOR (P1)	CONNECTORS (J1-J4)	SPECIFICATIONS	
	 	 	MATING CORDSET	RKC 8.6T-*
			HOUSING MATERIAL/COLOR	NYLON/YELLOW
			RECEPTACLE MATERIAL/FINISH	BRASS/NICKEL (P1), (J1-J4)
			CONTACT CARRIER MATERIAL/COLOR	NYLON/YELLOW (P1), (J1-J4)
			CONTACTS	GOLD-PLATED BRASS
			OPERATING VOLTAGE	48 V DC
			OPERATING CURRENT	3.0 A PER PORT, 3.0 A TOTAL
			LED CURRENT	10mA MAX AT 48VDC SUPPLY VOLTAGE (PER LED)
			PROTECTION CLASS to DIN 40050	IP 67 - ONLY WHEN ALL RECEPTACLES ARE COVERED WITH PLUGS OR CONNECTED
			OPERATING TEMPERATURE	-30°C to 80°C (-22°F to 176°F)



SOURCE DRAWING - FOR REFERENCE ONLY

RELATED DOCUMENTS		3RD ANGLE PROJECTION		THIS DRAWING IS PROPERTY OF TURCK INC. USE OF THIS DOCUMENT WITHOUT WRITTEN PERMISSION IS PROHIBITED.		TURCK INC High Technology Sensors and Automation Controls 3000 CAMPUS DRIVE MINNEAPOLIS, MN 55441 1-800-544-7769 (763) 553-7300 (763) 553-0708 fax turck.com	
1.			DRFT	JBJ	DATE	07/27/00	DESCRIPTION VB 403M-PX5-FS 8
2.			DSGN		SCALE	1=1.0	
3.		ALL DIMENSIONS DISPLAYED ON THIS DRAWING ARE FOR REFERENCE ONLY CONTACT TURCK FOR MORE INFORMATION	UNIT OF MEASUREMENT		IDENTIFICATION NO.		REV
4.			MILLIMETERS		U7036-3		C
MATERIAL	SEE SPECIFICATIONS	DO NOT SCALE THIS DRAWING		FILE: U7036-3		SHEET 1 OF 1	
FINISH	SEE SPECIFICATIONS						

C	UPDATE CLICHE' FROM PICOFAST TO MULTIBOX	RDS	07/29/03	10638
REV	DESCRIPTION	BY	DATE	ECO NO.